



42LMS240

**OPERATING INSTRUCTIONS
BRUKSANVISNING**



**COLOUR TELEVISION WITH REMOTE CONTROL
FARGE TV MED FJERNKONTROLL**

Contents

Safety Precautions	1
Environmental Information	3
Accessories included.....	3
TV - Features	4
Viewing the TV	4
TV Control button & Operation	4
Viewing remote control - TV	5
Using a Conditional Access Module	7
Standby Notifications.....	7
Installing the Batteries to the Remote.....	8
Connect Power & Antenna/Cable	8
Switching On/Off.....	8
First Time Installation.....	8
Media Playback via USB Input	10
Changing Image Size: Picture Formats.....	11
Using the Channel List	11
Quick Menu	11
Menu Features and Functions.....	12
Menu Features and Functions.....	13
Menu Features and Functions.....	14
Menu Features and Functions.....	15
Electronic Programme Guide (EPG)	16
Recording a Programme	16
Timeshift Recording	17
Instant Recording	17
Watching Recorded Programmes	17
Recording Configuration.....	17
Teletext	18
Software Upgrade.....	18
Troubleshooting & Tips.....	19
PC Typical Display Modes	20
Specifications	20
Licence Notifications.....	21
Supported File Formats for USB Media Browser ..	22
Supported DVI Resolutions	23

Safety Precautions



Please read these instructions fully before installing or operating.

Preparation

Place the device on a solid even surface. For ventilation, leave a free space of at least 10 cm all around the set. To prevent any fault and unsafe situations, do not place any objects on top of the set. Use this device in moderate climates. Operation temperature and operation humidity: 0°C up to 40°C, 85% rel. humidity max. (not blocking ventilation openings).

Intended Use

This device is used to receive and display TV programmes. The different connection options make an additional expansion of the reception and display sources possible (various external devices). This device is only suitable for the operation in dry interiors. This appliance is intended solely for private domestic use and may not be used for industrial and commercial purposes. We exclude liability in principle, if the device is not used as intended, or unauthorized modifications have been made. To operate your TV in extreme ambient conditions may cause the damage of the device.

⚠ WARNING: Never let people (including children) with physical, sensory or mental abilities or lack of experience and / or knowledge unsupervised use electrical device!

Children may not recognize dangers right! The swallowing of batteries can be fatal. Keep batteries always out of reach of small children. If a battery is swallowed, immediately seek medical attention. Keep the packaging films out of reach of children. Risk of suffocation.

Power source

- The TV should be operated only from a 220-240 V AC, 50 Hz outlet.
- **⚠ Warning: Do not** leave your TV in standby or operating mode when you leave your house.

Positioning the TV

- For ventilation, please leave a clear space of at least 10cm all around the TV.
- **Do not** block the ventilation openings.
- **Do not** place the TV on sloping or unstable surfaces, the TV may tip over.
- To prevent damage to the TV, **do not** place any objects on top of the TV.
- Only use the TV in moderate climates.

Power cord and plug

- The power cord plug should be easily accessible. In case of storms and lightning, when going on holiday, or when the TV is not used for a long period of time disconnect the power cord from the mains power socket.
- The mains plug is used to disconnect TV set from the mains and therefore it must remain readily operable.
- **Do not** place the TV, furniture, etc. on the power cord or pinch the cord.
- Handle the power cord by the plug, **do not** unplug the TV by pulling the power cord.
- Never touch the power cord/plug with wet hands as this could cause a short circuit or electric shock.
- Never make a knot in the power cord or tie it with other cords.
- Power cords should be placed in such a way that they are not likely to be stepped on or driven over.
- A damaged power cord/plug can cause fire or give you an electric shock. When damaged it must be replaced, this should only be done by qualified personnel.

Moisture and Water

- **Do not** use this TV in a humid or damp place (avoid bathrooms, the sink in the kitchen, and near the washing machine).
- **Do not** expose this TV to rain or water, as this may be dangerous.
- **Do not** place objects filled with liquids, such as flower vases, on top of the TV. Avoid from dripping or splashing.
- If any solid object or liquid falls into the cabinet, unplug the TV and have it checked by qualified personnel before operating it any further.

Ventilation

- The slots and openings on the TV set are intended for ventilation and to ensure reliable operation.
- To prevent overheating, these openings must not be blocked or covered in anyway.

Heat sources and Flames

- **Do not** expose the TV to direct sunlight or other heat sources.
- The TV should not be placed near to open flames and sources of intense heat such as an electric heater.
- Ensure that no open flame sources, such as lighted candles, are placed on top of the TV.



Headphone Volume

- Excessive sound pressure from earphones and headphones can cause hearing loss, please take care.



Wall Mounting (optional)

- To prevent injury, this TV must be securely attached to the wall in accordance with the installation instructions (if the option is available).

LCD Screen

- Occasionally, a few non-active pixels may appear on the screen as a fixed blue, green or red point. Please note that this does not affect the performance of your product.
- Take care not to scratch the screen with fingernails or other hard objects.

Cleaning

- Before cleaning, unplug the TV from the wall socket.
- **Do not** use liquid or aerosol cleaners. Only use a soft, dry cloth.

Environmental Information

This television is designed to consume less energy to save environment. You not only help to save the environment but also you can save money by reducing electricity bills thanks to the energy efficiency feature of this TV. To reduce energy consumption, you should take the following steps:

You can use Power Save Mode setting, located in the Picture Settings menu. If you set Power Save Mode as **Eco**, the TV will switch to energy-saving mode and luminance level of TV set will be decreased to optimum level. Note that some picture settings will be unavailable to be changed when the TV is in Power Save Mode.



If Picture Off is selected, “**Screen will be off in 15 seconds.**” message will be displayed on the screen. Select PROCEED and press OK to continue. The screen will be off in 15 seconds. If you disable Power Save Mode, Picture mode will be automatically set to Dynamic.

When the TV is not in use, please switch off or disconnect the TV from the mains plug. This will also reduce energy consumption.

Disconnect power when going away for longer time.

It is highly recommended to activate Power Save Mode setting to reduce your annual power consumption. And also it is recommended to disconnect the TV from the mains plug to save energy more when you do not use.

Please helps us to save environment by following these steps.

Repair Information

Please refer all servicing to qualified personnel. Only qualified personnel must repair the TV. Please contact your local dealer, where you have purchased this TV for further information.

Accessories included

Remote Control

Batteries: 2 x AAA

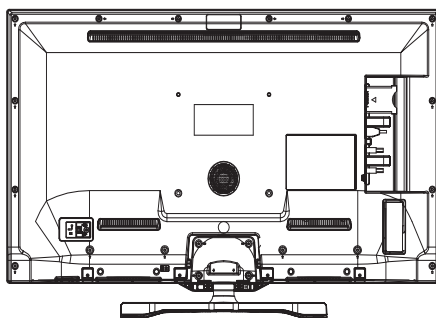
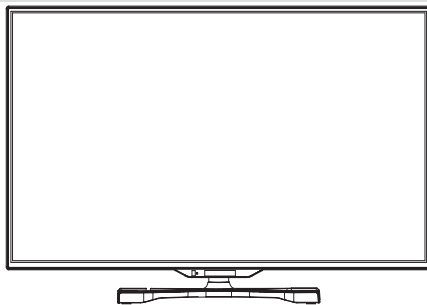
Instruction Book

Side AV Connection Cable

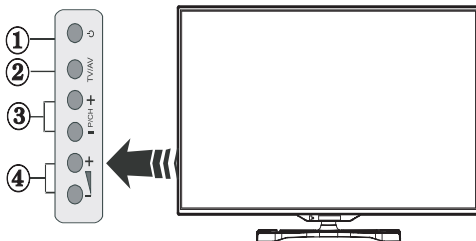
TV - Features

- Remote controlled colour TV.
- Fully integrated digital/cable TV (DVB-T/C).
- HDMI connectors for digital video and audio. This connection is also designed to accept high definition signals.
- USB input.
- Programme recording.
- Programme timeshifting.
- 1000 programmes.
- OSD menu system.
- Scart socket for external devices (such as video, video games, audio set, etc.).
- Stereo sound system.
- Teletext, fasttext, TOP text.
- Headphone connection.
- Automatic programming system.
- Forward or backward manual tuning.
- Automatic power down after up to six hours.
- Sleep timer.
- Child lock.
- Automatic sound mute when no transmission.
- NTSC playback.
- AVL (Automatic Volume Limiting).
- PLL (Frequency Search).
- PC input.
- Plug&Play for Windows 98, ME, 2000, XP, Vista, Windows 7.
- Game Mode (optional).
- Picture off function.

Viewing the TV



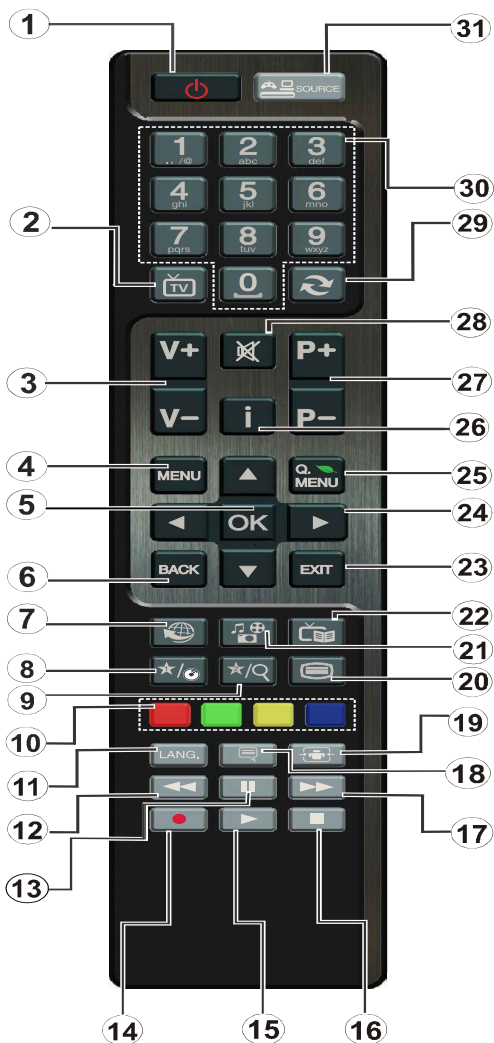
TV Control button & Operation



1. Standby On/Off button
2. TV/AV button
3. Programme Up/Down buttons
4. Volume Up/Down buttons

Viewing remote control - TV

1. Standby / On
2. Channel list
3. Volume up-down
4. Menu on/off
5. OK / Confirm
6. Return / Back
7. No Function
8. My button 1
9. My button 2 (**)
10. Coloured buttons (Red, Green, Yellow, Blue)
11. Mono-Stereo Dual I-II / Current language
12. Fast rewind (in media browser mode)
13. Pause (in media browser mode) / Timeshift recording
14. Programme recording
15. Play (in media browser mode)
16. Stop (in media browser mode)
17. Fast forward (in media browser mode)
18. Subtitle on-off / Subtitle (in media browser mode)
19. Image size
20. Teletext - Mix
21. Media Browser
22. Electronic programme guide
23. Exit
24. Navigation buttons
25. Quick menu On-Off
26. Info / Reveal (in TXT mode)
27. Programme up/down
28. Mute
29. Previous programme / Now (in EPG mode)
30. Numeric buttons
31. AV / Source



Using My button 1 (*)



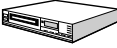








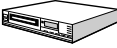




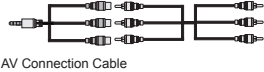


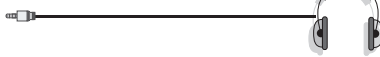









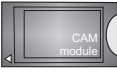
Press MY BUTTON 1 for five seconds when on a desired source, channel or link, until the "MY BUTTON IS SET" message is displayed on the screen. This confirms that the selected MY BUTTON is now associated with the selected function.


Using My Button 2 (**)

Press MY BUTTON 2 for five seconds when on a desired source, channel or link, until the "MY BUTTON IS SET" message is displayed on the screen. This confirms that the selected MY BUTTON is now associated with the selected function.


 **NOTE:** The Remote Control range is approximately 7m / 23ft.

Viewing the Connections

Connector	Type	Cables	Device
	Scart Connection (back)		
	VGA Connection (back)		
	SIDE AV PC/YPbPr Audio Connection (side)	 Side Audio/Video Connection Cable (Supplied) PC Audio Cable (Not supplied)	
	HDMI Connection (back)		
 SPDIF	SPDIF Connection (back)		
	SIDE AV Side AV Connection (side)	 AV Connection Cable (supplied)	
	HEADPHONE Headphone Connection (side)		
	YPbPr Video Connection (side)	 YPbPr Connection Cable	
	USB Connection (side)		
	CI Connection (side)		

 **NOTE:** When connecting a device via the Side AV input, you must use the supplied connection cables to enable connection. See the illustrations above. | YPbPr can be used only when you connect a device that has a YPbPr output through the CI input with YPbPr to PC cable (YPbPr to PC cable is not supplied). When the connection is made, switch to YPbPr source. To enable PC audio, you will need to use PC/YPBPR AUDIO CONNECTION WHITE & RED inputs. | If an external device is connected via the SCART socket, the TV will automatically switch to AV mode. | When receiving DTV channels (Mpeg4 H.264) or while in Media Browser mode, output will not be available via the scart socket. | When using the wall mounting kit (optional), we recommend that you plug all your cables into the back of the TV before mounting on the wall. | Insert or remove the CI module only when the TV is SWITCHED OFF. You should refer to the module instruction manual for details of the settings. Insert the CAM and then the viewing card to the slot that is located in the terminal cover at the rear side of the TV. The module should be correctly inserted, it is impossible to insert fully if reversed. The CAM or the TV terminal may be damaged if the CAM is forcefully inserted. Each USB input of your TV supports devices up to 500mA. Connecting devices that have current value above 500mA may damage your TV.

Using a Conditional Access Module

 **IMPORTANT:** Insert or remove the CI module only when the TV is SWITCHED OFF.

In order to watch certain digital channels, a conditional access module (CAM) can be necessary. This module must be inserted in the CI slot of your TV.

1. Obtain the Conditional Access Module (CAM) and the viewing card by subscribing to a pay channel company, then insert those to the TV using the following procedure.

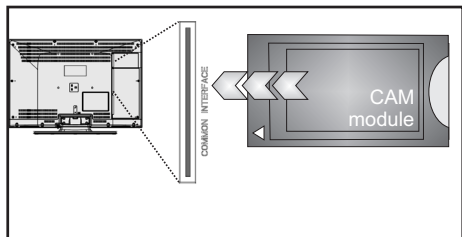
2. Insert the CAM and then the viewing card to the slot that is located in the terminal cover at the rear side of the TV.

3. The CAM should be correctly inserted, it is impossible to insert fully if reversed. The CAM or the TV terminal may be damaged if the CAM is forcefully inserted.

4. Connect the TV to the mains supply, switch on and then wait for few moments until the card is activated.

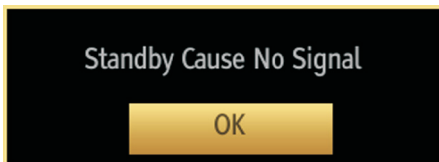
5. When no module is inserted, “**No Common Interface module detected**” message appears on the screen.

You can refer to the module instruction manual for details of the settings.

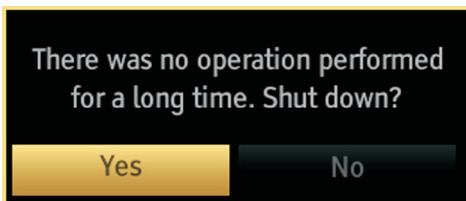


Standby Notifications

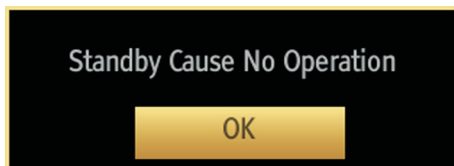
If the TV does not receive any input signal (e.g. From an aerial or HDMI source) for 5 minutes, the TV will go into standby. When you next switch-on the TV, the following message will be displayed:



When the Auto Tv Off timeout is reached, the following message will be displayed on the screen. Select YES to shut down the TV. Select NO to cancel. The TV will switch off as well, if you do not make a selection on this screen.



If the TV has been left on and not been operated for 4 hours, the TV will go into standby. When you next switch-on, the following message will be displayed:



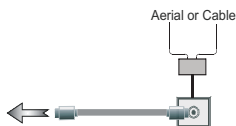
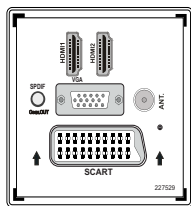
Installing the Batteries to the Remote

1. Lift the cover on the back of the remote upward gently.
2. Install two AAA batteries. Make sure to match the + and - ends of the batteries in the battery compartment (observe the correct polarity).
3. Replace the cover.



Connect Power & Antenna/Cable

IMPORTANT: The TV set is designed to operate on 220-240V AC, 50 Hz socket. After unpacking, allow the TV set to reach the ambient room temperature before you connect the set to the mains. Plug the power cable to the mains socket outlet.




Switching On/Off

To Switch the TV On


Connect the power cord to the 220-240V AC, 50 Hz.

To switch on the TV from standby mode either:

Press the “” button, **P+ / P-** or a numeric button on the remote control.

Press the control switch located on the left side of the TV. The TV will then switch on.

To Switch the TV Off

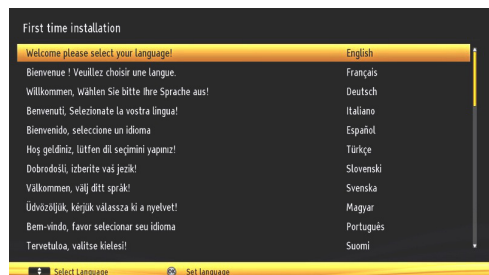
Press the “” button on the remote control or press and hold the control switch on the TV, so the TV will switch to standby mode.





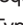
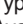






To power down the TV completely, unplug the power cord from the mains socket.

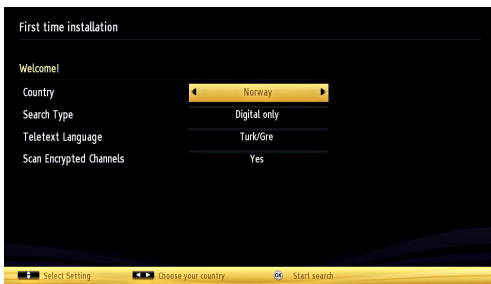
Note: When the TV is switched to standby mode, standby LED can blink to indicate that features such as Standby Search, Over Air Download or Timer is active. The LED can also blink when you switch on the TV from standby mode.

First Time Installation

When turned on for the first time, the “language selection” menu appears. The message “**Welcome please select your language!**” is displayed in all language options listed alphabetically.



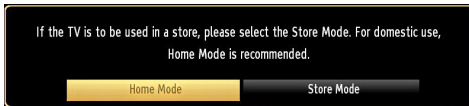
Press the “” or “” button to highlight the required language, press **OK** button to select. “First Time Installation” appears. Use “” or “” button to set the required country, and press “” button to select Search Type. Use “” or “” to set the desired search type. Available search types are Digital and analog, digital only and analog only. When set, press “” to select Teletext Language. Use “” or “” button to set the “Teletext Language” and select “Scan Encrypted” using “” or “” button. You can set **Scan Encrypted** as **Yes** if you want to scan coded stations.



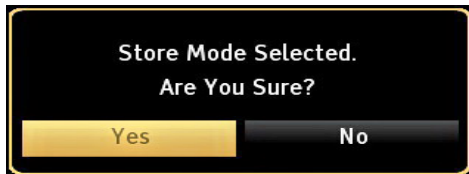
Default PIN code can change depending on the selected country.

If you are asked to enter a PIN code for viewing a menu option, use one of the following codes: 4725, 0000 or 1234.

Press **OK** button on the remote control to continue and the following message will be displayed on the screen.



You can activate Store mode (Optional) option by using “<” or “>” button. If Store Mode is selected, Store mode (Optional) option will be available in other settings menu and your TV’s features will be illustrated on the top of the screen. A confirmation screen will be displayed after selecting the Store Mode. Select **YES** to proceed.



If Home Mode is selected, Store mode (optional) will not be available after the First Time Installation. Press **OK** button on the remote control to continue and the following message will be displayed on the screen.



You must select a search type to search and store broadcasts from the desired source.

Aerial Installation

If you select **AERIAL** option from the **Search Type** screen, the television will search for digital terrestrial TV broadcasts.



NOTE: You can press **MENU** button to cancel.

After all the available stations are stored, Channel List will be displayed on the screen. If you like the sort channels, according to the LCN(*), please select “Yes” and than press **OK**.



Press **OK** button to quit channel list and watch TV.

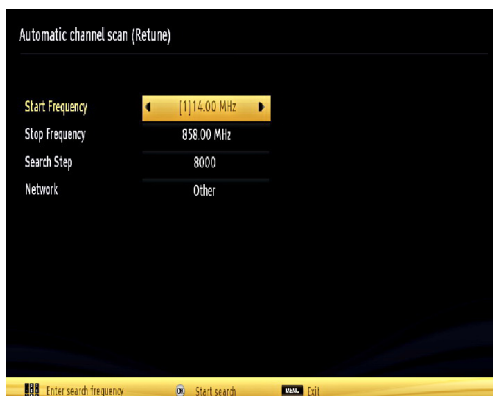
(*) LCN is the Logical Channel Number system that organizes available broadcasts in accordance with a recognizable channel sequence.

Cable Installation

If you select **CABLE** option and press **OK** button on the remote control to continue, the following message will be displayed on the screen:



To continue please select **YES** and press **OK**. To cancel operation, select **NO** and press **OK**.



You can select frequency ranges from this screen. For highlighting lines you see, use “^” or “v” button.

You can enter the frequency range manually by using the numeric buttons on the remote control.

Set **Start** and **Stop Frequency** as desired by using numeric buttons on the remote control.

After this operation, you can set **Search Step** as 8000 KHz or 1000 KHz.

If you select 1000 KHz, the TV will perform search process in a detailed way. Searching duration will thus increase accordingly. When finished, press **OK** button to start automatic search. The TV will search and store available broadcasts.

(*) Network option will not be available for UK.

Media Playback via USB Input

You can connect a USB hard disk drive or USB memory stick to your TV by using the USB inputs of the TV. This feature allows you to play files stored in a USB drive. 2.5" and 3.5" inch (hdd with external power supply) external hard disk drives are supported.

IMPORTANT! You should back up your files before making any connections to the TV set in order to avoid any possible data loss. Manufacturer will not be responsible for any file damage or data loss. It is possible that certain types of USB devices (e.g. MP3 Players) or USB hard disk drives/memory sticks may not be compatible with this TV. The TV supports FAT32 and NTFS disk formatting but **recording will not be available with NTFS formatted disks**. Note: While formatting a USB hard disk that has 1TB (Tera Byte) or more file capacity, you can experience problems with the formatting process.

Quickly plugging and unplugging USB devices, is a very hazardous operation. Do not repeatedly quickly plug and unplug the drive. This may cause physical damage to the USB player and USB device itself. Do not pull out USB module while playing a file.

You can use USB hubs with your TV's USB inputs. External power supplied USB hubs are recommended in such a case.

It is recommended to use the TV's USB input(s) directly, if you are going to connect a USB hard disk.

Media Browser Menu

You can play photo, music, and movie files stored on a USB disk by connecting it to your TV and using the Media Browser screen. To do this, perform the following: Connect a USB disk to one of the USB inputs located on the side of the TV.

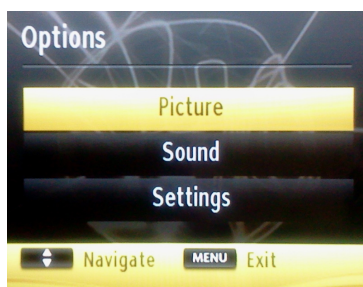
You can connect two USB devices to your TV. If both USB devices include music, picture or video files, USB selection OSD will be displayed on the screen. The first USB device connected to the TV will be named as USB Drive1. Select a device by using “v” or “^” button and press **OK**.

Press **MENU** button and select Media Browser tab by using Left/Right and **OK** buttons. Main media browser screen will be displayed. You can display the related content by selecting the Video, Music or Picture tab. Follow the button indications under each on screen menu for media playback features.

You can set your Media Browser preferences by using the Settings dialog.

Using MENU button in Media Browser Mode


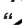

Pressing **MENU** button in Media Browser mode displays the following menu screen:



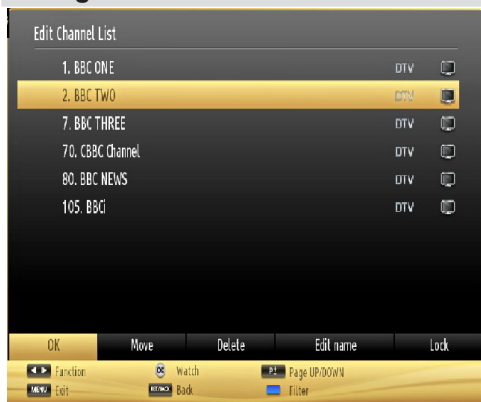
You can access **Picture**, **Sound** and **Settings** menu options using this screen. Press **MENU** again to exit from this screen.

Changing Image Size: Picture Formats

Programmes can be watched in different picture formats, depending on the transmission received. You can change the aspect ratio (image size) of the TV for viewing the picture in different zoom





modes. Press “” button repeatedly to change the image size. **You can shift the screen up or down by using “” or “” buttons while in, 14:9 Zoom, Cinema or Subtitle.**

Using the Channel List



The TV sorts all stored stations in the Channel List. You can edit this channel list, set favourites or set active stations to be listed by using the Channel List options. Press **MENU** button to view main menu. Select Channel List item by using **Left** or **Right** button. Press **OK** to view menu contents. Select **Edit Channel List** to manage all stored channels. Use **Up** or **Down** and **OK** buttons to select **Edit Channel List**. Press **Up** or **Down** button to select the channel that will be processed. Press **Left** or **Right** button to select a function on Channel List menu. Use **P+/P-** buttons to move page up or down. Press **MENU** button to exit.

Sorting Channel List

You can select broadcasts to be listed in the channel list. To display specific types of broadcast, you should use Active channel list setting. Select Active channel list from the Channel list menu by using “” or “” button. Press **OK** button to continue. You can select a network type option from the list by using “” or “” and **OK** buttons.

Quick Menu

The Quick Settings menu allows you to access some options quickly. This menu includes **Power Save Mode**, **Picture Mode**, **Equalizer Settings**, **Favourites** and **Sleep Timer**, **CEC RC Passthrough** and **Information booklet** options. Press **Q.MENU** button on the remote control to view quick menu. See the following chapters for the details of the listed features.

CEC and CEC RC Passthrough

This function allows to control the CEC-enabled devices, that are connected through HDMI ports by using the remote control of the TV.

The **CEC** option in the **Other Settings** menu under **Settings** menu should be set as **Enabled** at first. Press the **Source** button and select the HDMI input of the connected CEC device from the **Source List** menu. When new CEC source device is connected, it will be listed in source menu with its own name instead of the connected HDMI ports name(DVD Player, Recorder 1 etc.).

The TV remote is automatically able to perform the main functions after the connected HDMI source has been selected.

To terminate this operation and control the TV via the remote again, press and hold the “0-Zero” button on the remote control for 3 seconds. Or press **Q.Menu** button on the remote, highlight the **CEC RC Passthrough** and set as **Off** by pressing **Left** or **Right** button. This feature can also be enabled or disabled under the **Settings/Other Settings** menu.

The TV supports also ARC(Audio Return Channel) feature. This feature is an audio link meant to replace other cables between the TV and the audio system (A/V receiver or speaker system).

When ARC is active, TV does not mute its other audio outputs automatically. So you need to decrease TV volume to zero manually, if you want to hear audio from connected audio device only (same as other optical or co-axial digital audio outputs). If you want to change connected device's volume level, you should select that device from the source list. In that case volume control keys are directed to connected audio device.

Menu Features and Functions

Picture Menu Contents	
Mode	For your viewing requirements, you can set the related mode option. Picture mode can be set to one of these options: Cinema, Game, Sports, Dynamic and Natural .
Contrast	Sets the lightness and darkness values of the screen.
Brightness	Sets the brightness value for the screen.
Sharpness	Sets the sharpness value for the objects displayed on the screen.
Colour	Sets the colour value, adjusting the colors.
Power Save Mode	To set Power Save Mode as Eco, Picture Off and Disabled. See the section, "Environmental Information" in this manual for further information on Power Save Mode.
Backlight (optional)	This setting controls the backlight level and it can be set to Auto, Maximum, Minimum and Eco Mode . <i>Backlight function will be inactive if Power Save Mode is set to On. Backlight cannot be activated in VGA, Media Browser mode or while the picture mode is set to Game.</i>
Noise Reduction	If the broadcast signal is weak and the picture is noisy, use Noise Reduction setting to reduce the noise amount. Noise Reduction can be set to one of these options: Low, Medium, High or Off .
Advanced Settings	
Dynamic Contrast	You can change contrast rate by using dynamic contrast function. Dynamic contrast can be set to one of these options: Low, Medium, High or Off .
Colour Temp	Sets the desired colour tone.
Picture Zoom	Sets the picture size to Auto, 16:9, Subtitle, 14:9, 14:9 Zoom, 4:3 or Cinema. Auto (Only available in Scart mode with SCART PIN8 high voltage/low voltage switching).
HDMI True Black	While watching from HDMI source, this feature will be visible in the Picture Settings menu. You can use this feature to enhance blackness in the picture.
Film Mode	Films are recorded at a different number of frames per second to normal television programmes. Turn this feature on when you are watching films to see the fast motion scenes clearly.
Skin Tone	Adjust the desired skin tone.
Colour Shift	Adjust the desired colour tone.
RGB Gain	Press OK button to edit RGB gain. You can configure the colour temperature values using the RGB Gain feature.
Reset	Resets the picture settings to factory default settings.
Autoposition (in PC mode)	Automatically optimizes the display. Press OK to optimize.
H Position (in PC mode)	This item shifts the image horizontally to right hand side or left hand side of the screen.
V Position (in PC mode)	This item shifts the image vertically towards the top or bottom of the screen.
Dot Clock (in PC mode)	Dot Clock adjustments correct the interference that appear as vertical banding in dot intensive presentations like spreadsheets or paragraphs or text in smaller fonts.
Phase (in PC mode)	Depending on the resolution and scan frequency that you input to the TV set, you may see a hazy or noisy picture on the screen. In such a case you can use this item to get a clear picture by trial and error method.
<i>While in VGA (PC) mode, some items in Picture menu will be unavailable. Instead, VGA mode settings will be added to the Picture Settings while in PC mode.</i>	

Menu Features and Functions

Sound Menu Contents	
Volume	Adjusts volume level.
Equalizer:	In equalizer menu, the preset can be changed to Music, Movie, Speech, Flat, Classic and User . Press the MENU button to return to the previous menu. <i>Equalizer menu settings can be changed manually only when the Equalizer Mode is in User.</i>
Balance	This setting is used for emphasizing left or right speaker balance.
Headphone	Sets headphone volume.
Sound Mode	You can select Mono, Stereo, Dual I or Dual II mode, only if the selected channel supports that mode.
AVL	Automatic Volume Limiting (AVL) function sets the sound to obtain fixed output level between programmes (For instance, volume level of advertisements tend to be louder than programmes).
Headphone/Lineout (Optional)	When you connect an external amplifier to your TV using the headphone jack, you can select this option as Lineout. If you have connected headphones to the TV, set this option as Headphone.
Dynamic Bass (Optional)	Enables or disables the Dynamic Bass.
Surround Sound (Optional)	Surround sound mode can be changed as On or Off.
Digital Out	Sets digital out audio type.
Install and Retune Menu Contents	
Automatic Channel Scan (Retune)	<p>Displays automatic tuning options.</p> <p>Digital Aerial: Searches and stores aerial DVB stations.</p> <p>Digital Cable: Searches and stores cable DVB stations.</p> <p>Analogue: Searches and stores analogue stations.</p> <p>Digital Aerial & Analogue: Searches and stores aerial DVB and analogue stations.</p> <p>Digital Cable & Analogue: Searches and stores cable DVB and analogue stations.</p>
Manual Channel Scan	This feature can be used for direct broadcast entry.
Network Channel Scan (Optional)	Searches for the linked channels in the broadcast system.
Analogue Fine Tune	You can use this setting for fine tuning analogue channels. This feature is not available if no analogue channels are stored.
First Time Installation	Deletes all stored channels and settings, resets TV to factory settings and starts first time installation. You can follow the instructions in the Initial Installation section for more information on this process.
Clear Service List (Optional)	(*) This setting is visible only when the Country option is set to Denmark, Sweden, Norway or Finland. Use this setting to clear channels stored.

Menu Features and Functions

Settings Menu Contents


Conditional Access	Controls conditional access modules when available.
Language	Configures language settings.
Parental	Configures parental settings. Default PIN code can change depending on the selected country. If you are asked to enter a PIN code for viewing a menu option, use one of the following codes: 4725, 0000 or 1234.
Timers	Sets timers for selected programmes.
Recording Configuration	Displays recording configuration menu.
Date/Time	Sets date and time. Note: * The TV takes the time info via the broadcast. Correct time will be available on Date/Time Settings, if the time info is provided in the broadcast. If the TV is in no channel mode, Date/Time settings can be changed. However, if there is a channel preset, only "Time Settings Mode" can be changed and if this is set to Manual, Time Zone will be enabled. * If the TV is switched to standby mode and switched on later and there is no broadcast available, time information will not be updated. If there is a present broadcast; however, time information will be taken via the broadcast. In other words, time information will be available according to these priorities: The TV first looks for the time info in the broadcast, then to the user preference, and lastly to the teletext time information.
Sources	Enables or disables selected source options.
Network Settings (Optional)	Displays network settings.
Other Settings: Displays other setting options of the TV set:	
Menu Timeout	Changes timeout duration for menu screens.
Scan Encrypted	When this setting is on, search process will locate the encrypted channels as well. If it is set as Off , encrypted channels will not be located in automatic search or manual search.
Blue Background	Activates or deactivates blue background system when the signal is weak or absent.
Software Upgrade	To ensure that your TV always has the most update information, you can use this setting. In order for the proper operation, please ensure that the TV is set to standby mode.
Application Version	Displays application version.
Hard of Hearing	If the broadcaster enables any special signal concerning the audio, you can set this setting as On to receive such signals.
Audio Description	Audio description refers to an additional narration track for blind and visually impaired viewers of visual media, including television and movies. You can use this feature, only if the broadcaster supports that additional narration track.
Auto TV Off	You can set the timeout value of auto off feature. After the timeout value is reached and the Tv is not operated for selected time , the TV will go off.
Standby Search (optional)	If you change Standby Search to Off, this function will be unavailable. To use Standby search please make sure that you select Standby Search as On. If the Standby Search is set to On, when the TV is in standby mode, available broadcasts will be searched. If the TV locates any new or missing broadcasts, a menu screen will be displayed, asking you whether or not to execute these changes. Channel list will be updated and changed after this process. Please activate Standby Search setting in order to enable your TV for automatically updating the broadcast frequency of the broadcaster, broadcast definition and similar changes.

Menu Features and Functions

Other Settings: Displays other setting options of the TV set:

Store Mode (optional)	If you are displaying the TV in a store, you can activate this mode. While Store Mode is enabled, some items in the TV menu may not be available to be set.
Power Up Mode	This setting configures the power up mode preference. Always On: The TV always switches on when main on/off button is pressed. / Standby: The TV always powers up in Standby mode. / Last State: The TV always switches on with the last selected channel/source.
Virtual Remote (optional)	Enables or disables the virtual remote feature.
CEC	With this setting you can enable and disable CEC functionality completely. Press Left or Right button to enable or disable the feature.

Electronic Programme Guide (EPG)

Some, but not all channels send information about the current and next programmes. Press the “” button to view the EPG menu.

Programme Guide		Tue 08/05	Tue 08/05 14:29
1. BBC ONE	14:00	15:00	16:00
2. BBC TWO			
3. ITV1			
4. Channel 4			
5. Channel 5			
6. ITV2			
7. BBC THREE			
9. BBC FOUR			
10. ITV3			
11. Pick TV			

Navigation icons:       
    

Up/Down/Left/Right: Navigate EPG.


OK: Displays programme options.

INFO: Displays, in detail information on programme selected.

GREEN: Switches to List Schedule EPG.

YELLOW: Switches to Timeline Schedule EPG.

BLUE: displays filtering options.

 (RECORD): the TV will start to record the selected programme. You can press again to stop the recording.

IMPORTANT: To record a programme, you should first connect a USB disk to your TV while the TV is switched off. You should then switch on the TV to enable recording feature. Otherwise, recording feature will not be available.

Note: Switching to a different broadcast or source is not available during the recording.

Programme Options

In EPG menu, press the **OK** button to enter the **Event Options** menu.

Select Channel

In EPG menu, using this option, you can switch to the selected channel.

Record / Delete Record Timer

After you have selected a programme in EPG menu, press the **OK** button and and **Options** screen will be displayed. Select “**Record**” option and press the **OK** button. After this operation, a recording becomes set to the selected programme.

To cancel an already set recording, highlight that programme and press the **OK** button and select the option “**Delete Rec. Timer**”. The recording will be cancelled.

Set Timer / Delete Timer

After you have selected a programme in EPG menu, press the **OK** button and and **Options** screen will be displayed. Select “**Set Timer on Event**” option and press **OK** button. You can set a timer for future programmes. To cancel an already set timer, highlight that programme and press the **OK** button. Then select “**Delete Timer**” option. The timer will be cancelled.

Note: It is not possible to record or set timer for two or more individual events at the same time interval.

Recording a Programme

IMPORTANT: When using a new USB hard disk drive, it is recommended that you first format the disk using your TV’s “**Format Disk**” option.

To record a programme, you should first connect a USB disk to your TV while the TV is switched off. You should then switch on the TV to enable recording feature.

For using recording function, you should connect a USB disk or an external hard disk drive to the TV and connected USB disk should have at least 1 GB capacity and should have 2.0 speed compatibility. If the connected USB device does not support 2.0 speed, an error message will be displayed.

Note: Recorded programmes are saved into the connected USB disk. If desired, you can store/copy recordings on a computer; however, these files will not be available to be played on a computer. You can play the recordings only via your TV.

Note: Lip Sync delay may occur during the timeshifting. Radio record is not supported. The TV can record programmes up to ten hours.

Recorded programmes are split into 4GB partitions. If the writing speed of the connected USB disk is not sufficient, recording may fail and timeshifting feature may not be available.

Recordings of HD programmes can occupy bigger size on the USB disk depending on the broadcast’s resolution. For this reason it is recommended to use USB hard disk drives for recording HD programmes.

Do not plug out the USB/HDD during the recording. This may harm the connected USB/HDD.

Multipartition support is available. Maximum two different partitions are supported. If the disk have more than two partitions, crash may occur. First partition of the usb disk is used for PVR ready features. It also must be formatted as primary partition to be used for PVR ready features.

Some stream packets may not be recorded because of signal problems, so sometimes video may freezes during playback.

Record, Play, Pause, Display (for PlayListDialog) keys could not be used when teletext is ON. If a recording starts from timer when teletext is ON, teletext is

automatically turned off. Also teletext usage is disabled when there is ongoing recording or playback.

Timeshift Recording

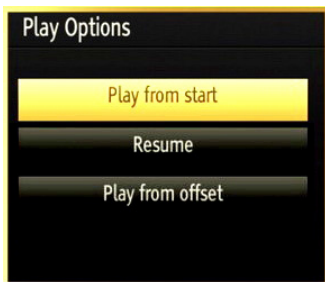
Press **||** (PAUSE) button while watching a broadcast for switching to timeshifting mode. In timeshifting mode, the programme is paused and simultaneously recorded to the connected USB disk. Press **▶** (PLAY) button again to watch the paused programme from the stopped moment. You will see the timeshift gap between the real and the timeshifted programme in the info bar.

Instant Recording

Press **●** (RECORD) button to start recording an event instantly while watching a programme. You can press **●** (RECORD) button on the remote control again to record the next event on the EPG. In this case, OSD will display the programmed events for recording. Press **■** (STOP) button to cancel instant recording. Switching to a different broadcast or source; and viewing Media Browser are not available during the recording.

Watching Recorded Programmes

In the main menu, use “<” or “>” buttons to select **Media Browser**. Highlight **Recordings Library** item by using “<” or “>” button and press **OK** button to enter. Recordings Library will then be displayed. Select a recorded item from the list (if previously recorded) by using “^”/“>” button. Press **OK** button to view **Play Options**. Select an option by using “v”/“^” or OK buttons.



Available playback options:

- Play from start: Plays the recording from the beginning.
- Resume: Recommences the recordings.
- Play from offset: Specifies a playing point.

Note: Viewing main menu and menu items will not be available during the playback.

Press **■** (STOP) button to stop a playback and return to return to Recordings Library.

Slow Forward

If you press **||** (PAUSE) button while watching recorded programmes, slow forward feature will be available. You can use **▶▶** button to slow forward. Pressing **▶▶** button consecutively will change slow forwarding speed.

Recordings Library

To view the list of recordings, select “**Recordings Library**” and press the **OK** button. Recordings Library will then be displayed with available recordings. All the recordings are kept in a list in the recordings library.

> (Resume): Recommences the recordings.

RED button (Delete): Erases the selected recording.

GREEN button (Edit): Makes changes on the selected recording.

BLUE button (Sort): Changes the order of the recordings. You can select from a wide range of sorting options.

OK button: Activates play options menu:

INFO (Details): Displays the short extended programmes in detail.


Recording Configuration

Select Recording Configuration item in the Settings menu to configure recording settings.

Format Disk: You can use Format Disk feature for formatting the connected USB disk. **IMPORTANT:** Note that ALL the data stored on the USB disk will be lost and then the disk format will be converted to FAT32 if you activate this feature. If your USB disk malfunctions, you can try formatting the USB disk. In most cases formatting the USB disk will restore normal operation; however, ALL the data stored on the USB disk will be lost in such a case.

Note: If “USB is too slow” message is displayed on the screen while starting a recording, try restarting the recording. If you still get the same error, it is possible that your USB disk does not meet the speed requirements. Try connecting another USB disk..


Teletext

“” **Teletext / Mix:** Activates teletext mode when pressed once. Press again to place the teletext screen over the programme (mix). Pressing again will quit the teletext mode.

“**BACK**” **Index:** Selects the teletext index page.



“**I**” **Reveal:** Shows hidden information (e.g. solutions of games).

“**OK**” **Hold:** Holds a text page when convenient. Press again to resume.


“” / “” **Subcode Pages:** Selects subcode pages if available when the teletext is activated.

P+ / P- and numbers (0-9): Press to select a page.


Note: Most TV stations use code 100 for their index pages.

Your TV supports both **FASTTEXT** and **TOP text** systems. When these systems are available, the pages are divided into groups or topics. When **FASTTEXT** system is available, sections in a teletext page will become colour-coded and can be selected by pressing the coloured buttons. Press a coloured button that corresponds to with your needs. The coloured writings will appear, showing you which coloured buttons to use when **TOP text** transmission is present. Pressing “” or “” commands will request the next or previous page respectively.

Digital Teletext (for UK only)

• Press the “” button. The digital teletext information appears. Operate it with the coloured buttons, cursor buttons and **OK** button.

The operation method may differ depending on the contents of the digital teletext. Follow the instructions displayed on digital teletext screen.

When the “” button is pressed again, the TV returns to television broadcasting.

Software Upgrade

Your TV is capable of finding and updating new software upgrades over broadcast channels. For broadcast channels search, TV looks the available channels stored in your settings. So before software upgrade search, it is advised to auto search and update all available channels.

1) Software upgrade search via user interface

- It is possible manually to check if there is a new software upgrade for your TV set.
- Simply navigate on your main menu. Choose **Settings** and select **Other Settings** menu. In **Other Settings** menu navigate on to the **Software Upgrade** item and press **OK** button to open **Upgrade Options** menu.
- In **Upgrade Options** menu select **Scan for upgrade** and press **OK** button.
- If a new upgrade is found, it starts to download the upgrade. A progress bar indicates the remaining download progress. When download completes with success a message is displayed for reboot to activate new software. Press **OK** to continue with the reboot operation.

2) 3.AM search and upgrade mode

- If **Automatic scanning** in **Upgrade Options** menu is enabled, TV wakes up at 03:00 and searches broadcast channels for new software upgrade. If new software is found and downloaded successfully, with next power up TV opens with new software version.

***Note on reboot operation:** Reboot is the last step in software upgrade operation if download of new software is finished successfully. During reboot TV makes final initialization. In reboot sequence panel power is closed and front led indicates the activity with blinking. Around 5 minutes later TV restarts with new software activated.*

- If your TV fails to restart in 10 minutes, unplug power for 10 minutes and re-plug again. TV should open with new software safely. If you still can not get TV working, please kindly repeat unplug and plug sequence a few times more. If your set still can not operate, please call the service personnel to fix the problem for you.

***Caution:** While led is blinking during reboot do not unplug your TV's power. Doing this may cause your TV not to re-open again and can only be fixed by service personnel.*

Troubleshooting & Tips

Image persistence - ghosting

Please note that ghosting may occur while displaying a persistent image (still or paused image). TVs' image persistence may disappear after a short time. Try turning off the TV for a while. To avoid this, do not leave the screen in still picture mode for extended periods.

No power

If your TV has no power, please check the power cord plug is connect to the mains power socket.

Poor picture

1. Have you selected the correct TV system?
2. Is your TV or house aerial located too close to a non-earthed audio equipment or neon lights, etc.?
3. Mountains or high buildings can cause double pictures or ghost images. Sometimes you can improve the picture quality by changing the direction of the aerial. Is the picture or teletext unrecognisable?
4. Check if you have entered the correct frequency.
5. Please retune the channels.
6. The picture quality may degrade when two devices are connected to the TV at the same time. In such a case, disconnect one of the devices.

No picture

1. No Picture means that your TV is not receiving a transmission. Have you selected the correct button on the remote control? Try once more. Also make sure the correct input source has been selected.
2. Is the aerial connected properly?
3. Are the plugs connected tightly to the aerial socket?
4. Is the aerial cable damaged?
5. Are suitable plugs used to connect the aerial?
6. If you are in doubt, consult your dealer.

No sound

1. Has the TV been set to mute? To cancel mute, press the "M" button, or increase the volume level.
2. Sound is coming from only one speaker. Is the balance set to one extreme? See Sound Menu section.

Remote control - does not operate

Your TV no longer responds to the remote control. The batteries may be exhausted, if so you can still use the control buttons on the TV. (* Is only possible if they are not blocked by parental control.)

Input sources - can not be selected

1. If you cannot select an input source, it is possible that no device is connected.
2. Check the AV cables and connections if you have tried to connect a device.

Recording Unavailable

To record a programme, you should first connect a USB disk to your TV while the TV is switched off. You should then switch on the TV to enable recording feature. Otherwise, recording feature will not be available. If you cannot perform recording, try switching off the TV and then re-inserting the USB device while the TV is switched off.

USB Is too Slow

If "USB is too slow" message is displayed on the screen while starting a recording, try restarting the recording. If you still get the same error, it is possible that your USB disk does not meet the speed requirements. Try connecting another USB disk.

Information for Users on Disposal of Old Equipment and Batteries

[European Union only]

These symbols indicate that equipment with these symbols should not be disposed of as general household waste. If you want to dispose of the product or battery, please consider the collection systems or facilities for appropriate recycling.

Notice: The sign Pb below the symbol for batteries indicates that this battery contains lead.



PC Typical Display Modes

The following table is an illustration of some of the typical video display modes. Your TV may not support all resolutions. Your TV supports up to 1920x1200.

Index	Resolution	Frequency
1	640x400	70Hz
2	640x350	85Hz
3	640x400	85Hz
4	640x480	60Hz
5	640x480	66Hz
6	640x480	72Hz
7	640x480	75Hz
8	640x480	85Hz
9	800x600	56Hz
10	800x600	60Hz
11	800x600	70Hz
12	800x600	72Hz
13	800x600	75Hz
14	800x600	85Hz
15	832x624	75Hz
16	1024x768	60Hz
17	1024x768	66Hz
18	1024x768	70Hz
19	1024x768	72Hz
20	1024x768	75Hz
21	1024x768	85Hz
22	1152x864	60Hz
23	1152x864	70Hz
24	1152x864	75Hz
25	1152x864	85Hz
26	1152x870	75Hz
27	1280x768	60Hz
28	1360x768	60Hz
29	1280x768	75Hz
30	1280x768	85Hz
31	1280x960	60Hz
32	1280x960	75Hz
33	1280x960	85Hz
34	1280x1024	60Hz
35	1280x1024	75Hz
36	1280x1024	85Hz

37	1400x1050	60Hz
38	1400x1050	75Hz
39	1400x1050	85Hz
40	1440x900	60Hz
41	1440x900	75Hz
42	1600x1200	60Hz
43	1680x1050	60Hz
44	1920x1080	60Hz
45	1920x1200	60Hz

Specifications

TV BROADCASTING

PAL/SECAM B/G D/K K' I/I' L/L'

DIGITAL RECEPTION

DVB-T MPEG2

DVB-T MPEG4 HD

DVB-T MHEG-5 Engine (for UK only)

DVB-C MPEG2

DVB-C MPEG4 HD

RECEIVING CHANNELS

VHF (BAND I/II/III)

UHF (BAND U)

HYPERBAND

NUMBER OF PRESET CHANNELS

1000

CHANNEL INDICATOR

On Screen Display

RF AERIAL INPUT

75 Ohm (unbalanced)

OPERATING VOLTAGE

220-240V AC, 50 Hz

AUDIO

German + Nicam Stereo

AUDIO OUTPUT POWER (W_{RMS}) (10% THD) 2 x 8

POWER CONSUMPTION (W) 75 W (max)

PANEL 16:9

Licence Notifications

Manufactured under license from Dolby Laboratories.

TRADEMARK ACKNOWLEDGMENT



DIGITAL PLUS and the double-D symbol are trademarks of Dolby Laboratories.

“HDMI, the HDMI logo and High-Definition Multimedia Interface are trademarks or registered trademarks of HDMI Licensing LLC.”



Supported File Formats for USB Media Browser

Media	Extension	Format		Notes
		Video	Audio	
Movie	dat, mpg, mpeg	Mpeg1,2	MPEG1/2 Layer 1/2/3, AAC/HEAAC, AC3/EAC3, LPCM/ADPCM	1080P@ 30fps 50Mbit/sec
	dat, mpg, mpeg	MPEG2 ,H.264, VC1, AVS, MVC	MPEG1/2 Layer 1/2/3, AAC/HEAAC, AC3/EAC3, LPCM/ADPCM	H.264:1080Px2@25fps 1080P@ 50fps MVC: 1080P@ 24fps Other: 1080P@ 30fps" 50Mbit/sec
	.vob	MPEG2	MPEG1/2 Layer 1/2/3, AC3, LPCM	1080P@ 30fps 50Mbit/sec
	.mkv	MPEG1,2,4, XviD, H.264, VC1,WMV3, Motion JPEG	MPEG1/2 Layer 1/2/3, AAC/HEAAC, AC3/EAC3, LPCM	H.264:1080Px2@25fps 1080P@ 50fps Other:1080P@ 30fps 50Mbit/sec
	.mp4 .mov		MPEG1/2 Layer 3, AAC/HEAAC, AC3/EAC3, LPCM/ADPCM	H.264: 1080Px2@25fps 1080P@ 50fps Other: 1080P@ 30fps 50Mbit/sec
	.avi	MPEG1,2,4 Xvid H.264, VC1,WMV3, Sorenson H.263 Motion JPEG	MPEG1/2 Layer 1/2/3, AAC/HEAAC, AC3/EAC3, LPCM/ADPCM, WMA	H.264: 1080Px2@25fps 1080P@ 50fps Other: 1080P@ 30fps" 50Mbit/sec
	flv	H.264, Sorenson H.263	MPEG1/2 Layer 3, AAC/HEAAC, LPCM/ADPCM	H.264: 1080Px2@25fps 1080P@ 50fps Other: 1080P@ 30fps" 50Mbit/sec
	3gp,3g2	MPEG4, H.264		1920x1080 @ 30P 20Mbit/sec
	asf, wmv	MPEG2,4, XviD, H.264, VC1,WMV3	MPEG1/2 Layer 1/2/3, AAC/HEAAC, AC3/EAC3, LPCM, WMA	1080P@ 30fps 50Mbit/sec
Music	.mp3		MPEG1 Layer 1/2/3 (MP3)	
	.wav		LPCM	
	WMA/ASF		WMA, WMA Pro	
	.m4a/ .aac		AAC, HEAAC	
Photo	.jpg .jpeg	Baseline JPEG		MAX WxH = 14592x12288 Up to 8 MegaByte
	.png	Progressive JPEG		
	.bmp	non-interlace		
	.png	interlace		
Subtitle	sub	-	-	
	srt	-	-	

Supported DVI Resolutions

When connecting devices to your TV's connectors by using DVI converter cables (not supplied), you can refer to the following resolution information.

	56Hz	60Hz	66Hz	70Hz	72Hz	75Hz
640x400				<input checked="" type="checkbox"/>		
640x480		<input checked="" type="checkbox"/>	<input checked="" type="checkbox"/>		<input checked="" type="checkbox"/>	<input checked="" type="checkbox"/>
800x600	<input checked="" type="checkbox"/>	<input checked="" type="checkbox"/>		<input checked="" type="checkbox"/>	<input checked="" type="checkbox"/>	<input checked="" type="checkbox"/>
832x624						<input checked="" type="checkbox"/>
1024x768		<input checked="" type="checkbox"/>	<input checked="" type="checkbox"/>	<input checked="" type="checkbox"/>	<input checked="" type="checkbox"/>	<input checked="" type="checkbox"/>
1152x864		<input checked="" type="checkbox"/>		<input checked="" type="checkbox"/>		<input checked="" type="checkbox"/>
1152x870						<input checked="" type="checkbox"/>
1280x768		<input checked="" type="checkbox"/>				
1360x768		<input checked="" type="checkbox"/>				<input checked="" type="checkbox"/>
1280x960		<input checked="" type="checkbox"/>				<input checked="" type="checkbox"/>
1280x1024		<input checked="" type="checkbox"/>				<input checked="" type="checkbox"/>
1400x1050		<input checked="" type="checkbox"/>				<input checked="" type="checkbox"/>
1440x900		<input checked="" type="checkbox"/>				<input checked="" type="checkbox"/>
1600x1200		<input checked="" type="checkbox"/>				
1680x1050		<input checked="" type="checkbox"/>				
1920x1080		<input checked="" type="checkbox"/>				
1920x1200		<input checked="" type="checkbox"/>				

Innholdsfortegnelse

Sikkerhetshensyn	24
Miljø Informasjon	26
TV - Funksjoner	26
Visning av TV	27
TV Kontrollknapper & drift	27
Tilbehør som følger med	27
Se på fjernkontrollen- TV	28
Bruk av en Betinget Tilgang Modul	30
Stand by Påminnelser	30
Installering av Batterier på Fjernkontrollen	31
Tilkopling av Strøm & Antenne/Kabel	31
Slå På/Av	31
Første Gangs Installasjon	31
Media avspilling via USB inngang	33
Endre bildestørrelse: Bildeformat	33
Bruke av Kanallisten	33
Hurtigmeny	34
Meny Egenskaper og Funksjoner	35
Meny Egenskaper og Funksjoner	36
Meny Egenskaper og Funksjoner	37
Meny Egenskaper og Funksjoner	38
Elektronisk Program Guide (EPG)	39
Spille inn en Program	39
Timeshift Opptak	40
Øyeblikkelig Opptak	40
Ser Innspilte Programmer	40
Opptak Konfigurasjon	40
Tekst TV	41
Programvareoppgradering	41
Feilsøking og Tips	42
PC Typiske Visning Tilstander	43
Spesifikasjoner	43
Lisens Påminnelser	44
Filformater som støttes for USB Medieleser	45
Støttede DVI-oppløsninger	46

Sikkerhetshensyn



Vennligst les disse instruksjonene fullt ut før du installerer eller betjener.

Forberedelse

Plasser TV-en på en solid overflate. La det være et åpent område på minst 10 cm rundt apparatet for ventilasjon. For å unngå feil og utrygge situasjoner, ikke plasser objekter på toppen av apparatet. Bruk denne enheten i moderat klima. Betjening temperatur og drift fuktighet: 0 °C opp til 40 °C, 85% rel. fuktighet maks. (ikke blokkerer ventilasjons åpningene)

Tiltenkt Bruk

Denne enheten brukes til å motta og vise TV programmer. De forskjellige tilkobling muligheter foreta en ytterligere utvidelse av mottak og mulige kilder (forskjellige eksterne enheter). Denne enheten er kun egnet til drift i tørt interiør. Dette apparatet er kun beregnet for privat bruk og kan ikke brukes til industrielle og kommersielle formål. Vi utelukker ansvar i prinsippet, hvis enheten ikke brukes som tiltenkt, eller uautoriserte endringer har blitt gjort. Bruk av din LED TV under forhold med svært høy luftfuktighet kan skade apparatet.

⚠ ADVARSEL: La aldri noen (inkludert barn) med fysiske, sensoriske eller mentale evner eller noen som mangler erfaring og/eller kunnskap å benytte elektriske utstyr uten tilsyn!

Barn kan ikke kjenne igjen en far på riktig måte! Den svelging av batterier kan være dødelig. Hold batteriene alltid utilgjengelig for små barn. Hvis et batteri svelges, søke legehjelp øyeblikkelig. Hold emballasje filmene utilgjengelig for barn. Fare for kvelning.

Strømkilde

- TV skal kun brukes fra et 220-240 V AC, 50 Hz-uttak.
- **⚠ Advarsel: Ikke** la TVEN i stand by-modus eller drifts tilstand når du forlater huset.

Strømkabel og plugg

- Støpselet må være lett tilgjengelig. Ved storm og lyn, når du skal dra på ferie, eller når apparatet ikke skal brukes over lengre tid, trekk ut strømkabelen fra strømkontakten.
- Støpselet brukes til å koble apparatet fra strømmettet, og derfor må det være lett tilgjengelig.
- **Ikke** plasser TV, møbler osv. på strømledningen eller klemme ledningen.
- Håndtere strømledningen i støpselet, **ikke** koble fra TV ved å trekke ut strømledningen.
- Rør aldri strømledningen når du er våt på hendene, da dette kan føre til kortslutning eller elektrisk sjokk.

- Lag aldri knute på strømledningen eller knytte det sammen med andre ledninger.
- Strømledningene bør plasseres på en slik måte at de ikke risikerer å bli tråkket eller kjørt på.
- En skadet strømledning/støpsel kan forårsake brann eller gi deg elektrisk støt. Når kabelen er skadet må den skiftes ut, dette må utføres av kvalifisert fagfolk.

Fukt og Vann

- **Ikke** bruke denne TV i et damp eller fuktig sted (unngå bad, vasken på kjøkkenet, og i nærheten av vaskemaskinen).
- **Ikke** utsette denne TV-en for regn eller vann, da dette kan være farlig.
- **Ikke** plasser gjenstander fylt med væske, for eksempel blomstervaser, på toppen av TV. Unngå drypping eller spruting.
- Dersom en gjenstand eller væske skulle komme inn i apparatet, trekk ut strømkontakten av TV-en og få den undersøkt av kvalifisert personell før du forsøker å bruke den igjen.

Ventilasjon

- Luker og åpninger på mottakeren er kun ment for ventilasjon og for å forsikre pålitelig ytelse.
- Disse åpningene må ikke blokkeres eller dekket til på noen måte, da dette kan føre til overoppheting.

Varmekilder og Flammer

- **Ikke** utsett TV for direkte sollys eller andre varmekilder.
- TV må ikke plasseres i nærheten av åpen flamme eller intens varme, for eksempel en elektrisk varmeovn.
- Sørg for at åpen flamme, som tente stearinlys, ikke plasseres oppå TV-en.



Hode tlf. Volum

- Høy lyd fra hodetelefonene kan føre til hørselstap, vennligst ta omsorg.

Veggmontering (valgfritt)

- For å hindre skade, må denne TV festes til vegg i henhold til monteringsanvisningen (hvis muligheten er tilgjengelig).



LCD Skjerm

- Av og til kan noen få ikke-aktive piksler forekomme på skjermen som faste punkt av blå, grønn eller rød. Vennligst merk at dette ikke vil påvirke ditt produkts yteevne.
- Pass på så du ikke lager risper i skjermen med fingerne eller andre harde ting.

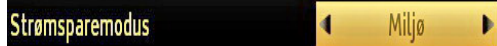
Rengjøring

- Før rengjøring, trekk ut strømledningen fra kontakten.
- **Ikke** bruk flytende rengjøringsmidler eller spraybokser. Bruk en myk, tørr klut.

Miljø Informasjon

Dette TV-apparatet er utviklet for å forbruke mindre energi. Du ikke bare bidra til å spare miljøet, men også du kan spare penger ved å redusere strømregningen, takket være energieffektiviteten av denne TVen. For å redusere energiforbruket, bør du gjøre følgende:

Du kan bruke innstillingen Strømsparemodus, som fins i menyen Bildeinnstillinger. Hvis du setter Strømsparing Tilstand til **Øko**, vil TV endre til energispare tilstand og luminans nivå for TVen vil endre til et optimum nivå. Merk at noen bildeinnstillinger vil være utilgjengelige for endringer når TV-en er i strømsparemodus.



Hvis Bilde Av er valgt, **“Skjermen vil være av i 15 sekunder.”** meldingen vises på skjermen. Velg FORTSETT og trykk OK for å fortsette. Skjermen vil være av i 15 sekunder. Hvis du deaktiverer Strømsparing Tilstand, vil Bilde Tilstand bli automatisk satt til Dynamisk.

Når TV-en ikke er i bruk, kan du slå av eller koble den fra støpselet. Dette vil redusere energiforbruket. Koble strøm når du går bort for lengre tid.

Det anbefales sterkt å aktivere innstillingen Strømsparingsmodus for å redusere det årlige strømforbruket. Det anbefales også å koble TV fra nettet for å spare mer energi når du ikke bruker den.

Vennligst hjelper oss å spare miljøet ved å følge disse trinnene.

Reparasjon Informasjon

Vennligst overlatt all service til kvalifisert personell. Bare kvalifisert personale må reparere TVen. Ta kontakt med din lokal forhandler, der du har kjøpt denne TV-en for ytterligere informasjon.

TV - Funksjoner

- LCD farge-TV med fjernkontroll.
- Fullt integrert digital / kabel-TV (DVB-T / C)
- HDMI kontakter for digital video og audio. Denne tilkobling er også utviklet for å godta HD signaler.
- USB inngang.
- Opptak program
- Programtidsskifte
- 1000 programmer.
- OSD meny system.
- Skart kontakt for eksterne enheter (som video, videospill, lydanlegg osv.).
- Stereo lyd system.
- Tekst-TV, FASTEXT, TOP tekst.
- Hodetelefontilkobling.
- Automatisk programmering system.
- Fremover eller bakover manuell tuning.
- Automatisk steng av etter opptil seks timer.
- Tidsur
- Barn lås
- Automatisk lyd demping når sending.
- NTSC-avspilling.
- AVL (Automatisk Volum Limiting).
- PLL (Frekvens Søk)..
- PC-inngang.
- Plug & Play til Windows 98, ME, 2000, XP, Vista, Windows 7.
- Spillmodus (valgfritt).
- Bilde av-funksjon.

Tilbehør som følger med

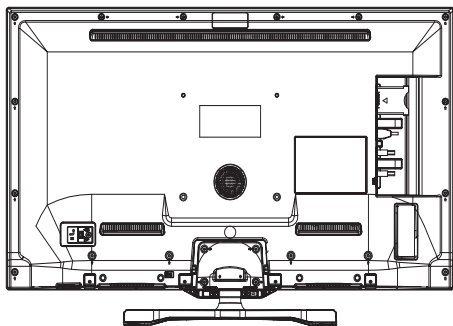
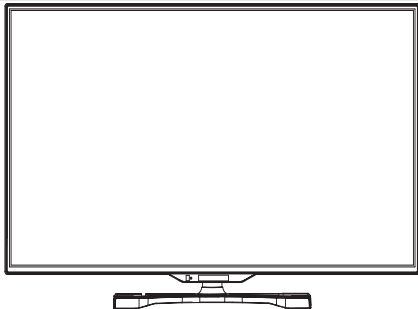
Fjernkontroll

Batterier: 2 x AAA

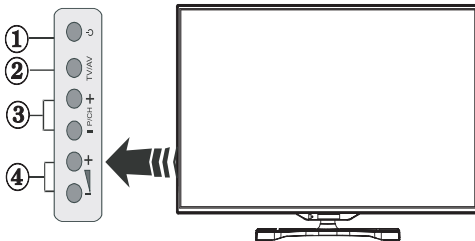
Instruksjon Bok

Side AV Tilkobling Kabel

Visning av TV



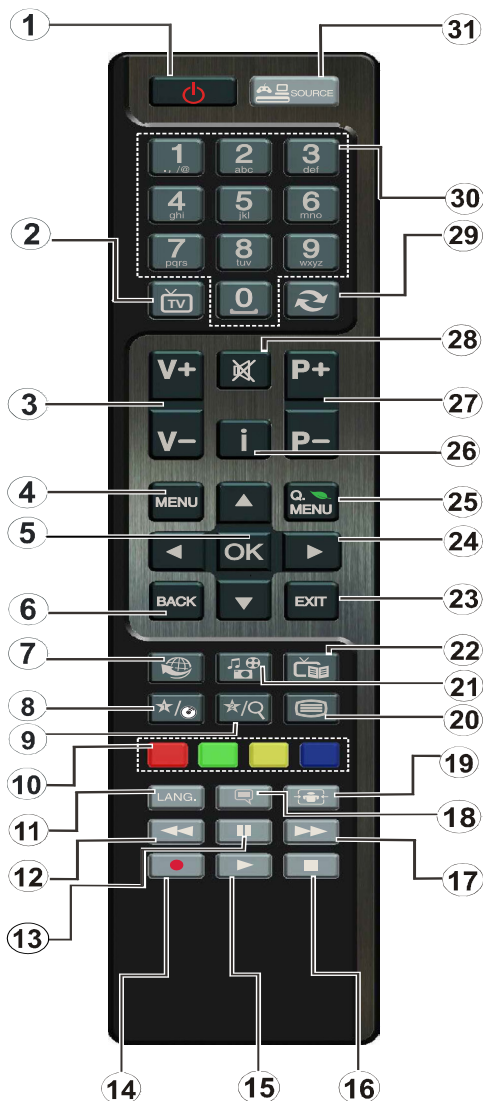
TV Kontrollknapper & drift



1. Standby On/Off-knappen
2. TV/AV knappen
3. Knapper for program opp/ned
4. Volum Opp/volum Ned-knapper

Se på fjernkontrollen- TV

1. Standby / På
2. Kanalliste
3. Volumregulering
4. Meny på/av
5. Ok/Bekreft
6. Returner tilbake:
7. Ingen funksjon
8. Min knapp 1
9. Min knapp 2 (**)
10. Fargede knapper (RØD/GRØNN/GUL/BLÅ)
11. Mono/Stereo - Dual I-II / Nåværende språk
12. HurtigTilbakespuling(i medieleser-modus)
13. Pause (i medieleser-modus)/ Tidsskifteopptak
14. Programmere opptak
15. Play (i medieleser-modus)
16. Stopp (i medieleser video-modus)
17. Spolig forover (i medieleser-modus)
18. Undertittel på-av/Undertittel (i medieleser-modus)
19. Bildestørrelse
20. Tekst-TV - Mix
21. Medieleser
22. Elektronisk programoversikt
23. Avslutt
24. Navigasjonsknappene
25. Hurtig meny På-av
26. Informasjon /Vis (i TEKST-modus)
27. Program opp / ned
28. Dempet
29. Forrige program / Nå (i EPG-modus)
30. Siffertaster
31. AV / Source (kilde)



Å bruke Min knapp 1



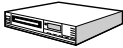




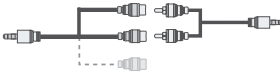



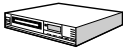






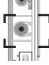



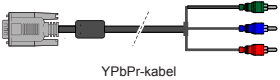






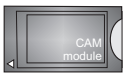
Trykk på MIN KNAPP 1 i fem sekunder når den er på ønsket kilde, kanal eller lenk, inntil meldingen "MIN KNAPP ER INNSTILT" vises på skjermen. Dette bekrefter at valgt MIN KNAPP er nå koblet til valgt funksjon.


Å bruke Min knapp 2

Trykk på MIN KNAPP 2 i fem sekunder når den er på ønsket kilde, kanal eller lenk, inntil meldingen "MIN KNAPP ER INNSTILT" vises på skjermen. Dette bekrefter at valgt MIN KNAPP er nå koblet til valgt funksjon.

 **MERK:** Rekkevidden er på rundt 7meter / 23ft.

Visning av Tilkoplinger

Forbinder	Type	Kabler	Enhet
	Skart Forbindelse (tilbake)		
	VGA Forbindelse (tilbake)		
SIDE AV 	PC/YpPr Audio Forbindelse (side)	 Video/audio koblingskabelen på siden (inkludert) PC RGB kabel (ikke inkludert)	
	HDMI Forbindelse (tilbake)		
 SPDIF	SPDIF Forbindelse (tilbake)		
SIDE AV 	Side AV Forbindelse (side)	 AV tilkopplingskabel (inkludert)	
	Hodetelefon Forbindelse (side)		
	YPbPr Video Liittäminen (takaisin)	 YPbPr-kabel	
	USB Forbindelse (side)		
	CI Forbindelse (side)		

 **MERK:** Når du kobler en enhet via Side AV-inngang, må du bruke de medfølgende kabler for å aktivere tilkobling. Se illustrasjonene ovenfor. | YPbPr kan brukes bare når du kobler til en enhet som har en YPbPr utgang via PC-inngang med YPbPr til PC-kabel (YPbPr til PC-kabel følger ikke). Når tilkoblingen er gjort, endre til YPbPr kilde. For å aktivere PC-lyd, må du bruke PC / YPBPR LYD TILKOBLING HVIT & RØD innganger. | Hvis et eksternt apparat kobles til via SKART-kontakten, vil TV automatisk bytte til AV-modus. | Ved mottak av DTV kanaler (MPEG4 H.264) eller mens i media navigering modus, vil produksjonen ikke være tilgjengelig via skart kontakten. | Når du bruker veggmontering settet (valgfritt), anbefaler vi at du setter alle kablene inn på baksiden av TV før montering på vegg. | Sett inn eller fjern CI modulen kun når TV er slått av. Du bør se modulen bruksanvisningen for detaljer om innstillingene. Sett inn CAM, og deretter vise kortet til sporet som ligger i terminalen dekkelet på baksiden av Tven. Modulen skal være korrekt satt, er det umulig å sette inn fullt hvis reversert. CAM'en eller TV terminal kan bli skadet hvis man bruker kraft til å sette i CAM'en. Hvert USB port på din TV støtter enheter opp til 500mA. Enheter som har en verdi over 500mA kan skade din TV.

Bruk av en Betinget Tilgang Modul



VIKTIG:: Sett i eller fjern CI-modulen kun når TV-en er SLATT AV.

For å kunne se bestemte digitale kanaler, kan en betinget tilgagnsmodul (CAM) være nødvendig. Denne modulen må settes inn i CI-sporet på din TV.

1.Skaff Betinget Tilgang Modul (CAM) og visning kortet ved å abonnere på en lønn kanal selskap, og sett dem til TVen med følgende prosedyre.

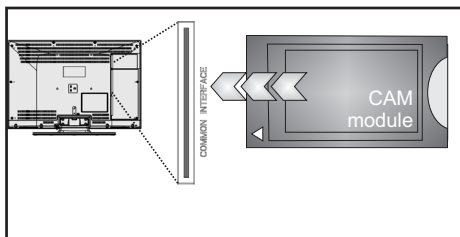
2.Sett inn CAM, og deretter vise kortet til sporet som ligger i terminalen dekselet på baksiden av TVen.

3.CAM må settes i korrekt, det er umulig å sette den feil vei. CAM-en eller TV-apparat kan skades hvis du tvinger CAM-en på plass.

4.Koble TV til strømmettet, slå på og deretter vente noen minutter til kortet blir aktivert.

5.Når ingen modul er satt inn, vises meldingen“**Ingen felles grensesnittsmodule funnet**” på skjermen.

Du kan referere til modulen bruksanvisningen for detaljer om innstillingene.



Stand by Påminnelser

Hvis TVen ikke mottar noen innspill signal (for eksempel fra en antenne eller HDMI kilde) i 5 minutter, vil TV gå i stand by. Når du neste slås på TV, vil følgende melding vises:

Standby skaper ingen signal

OK

Når Auto Tv Av timeout er nådd, vil følgende melding vises på skjermen. Velg JA for å stenge TV. Velg NEI for å avbryte. TVen slår seg av også, hvis du ikke gjør et valg på denne skjermen.

Ingen aksjon er utført på lang tid.
Slå av?

Ja

Nei

Hvis TV har stått på og ikke blitt brukt for 4 timer, vil TV gå i stand by. Når du neste slås på, vil følgende melding vises:

Standby skaper ingen operasjon

OK

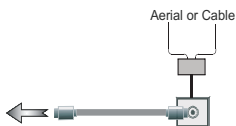
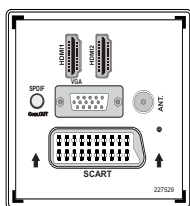
Installering av Batterier på Fjernkontrollen

1. Løft forsiktig opp dekselet på baksiden av fjernkontrollen.
2. Sett inn to AAA batterier. Sørg for å matche at + og - på batteriene er korrekt i batteriavlukket (sjekk korrekt polariteten).
3. Sett dekselet tilbake på plass.



Tilkopling av Strøm & Antenne/Kabel

VIKTIGT: TV-apparatet er designet for å operere på 220-240V AC, 50 Hz sokkel. Etter utpakking av TV-apparatet; la det nå romtemperatur før du kobler det til. Koble strømkabelen til en stikkontakt.



Slå På/Av

For å slå på TV

Koble strømledningen til et uttak med 220-240V AC, 50 Hz.

Da tennes LED-lampen for standby.

For å slå på Tven fra stand by tilstand enten:

Trykk "⏻" - knappen, **P+** **P-** eller en siffer tast på fjernkontrollen.

Trykk på bryteren plassert på venstre side av TVen. TV-en slås på.

For å slå TVen Av

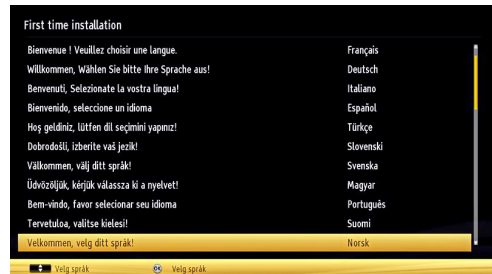
Trykk på "⏻" knappen på fjernkontrollen eller trykk og hold bryter knappen på Tven til TVen slås av, så vil TVen endre til stand by innstilling. (Avhengig av modellen).

For å slå strømmen helt av, trekk ut strømledningen fra stikkontakten.

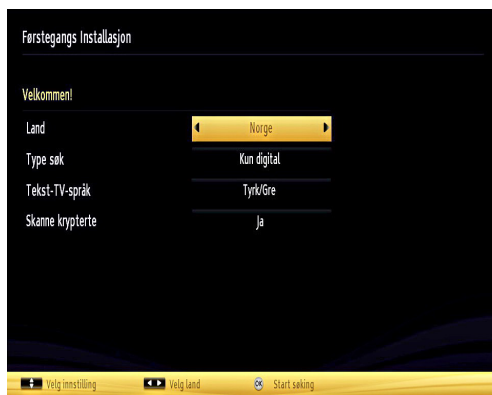
Merk: Når TV-en er satt i hvilemodus, kan indikatorlampen for dette angi at funksjonene som hvilemodussøk, nedlasting eller timeren er aktive. LED-lampen kan også blinke når du slår på TV-en fra standby-modus.

Første Gangs Installasjon

Når den slås på før første gang, vises menyen for språkvalg. Meldingen "**Velkommen! Velg språk!**" vises på alle tilgjengelige språkalternativer og er oppført alfabetisk.



Trykk på "∧" eller "∨" knappen for å fremheve det krevde språk, og trykk på **OK** knappen for å velge. "Første Gang Installasjon" vises. Bruk "<" eller ">" knappen for å sette det krevde land, og trykk på "∨" knappen for å sette Søk Typen. Bruk "<" eller ">" for å sette den ønskede søk type. Tilgjengelige søketyper er Digital og analog, digital bare og analog bare. Når satt, trykk på "∨" for å sette Tekst TV Språket. Bruk "<" eller ">" knappen for å velge det ønskede "Tekst TV Språk" og velg "Skanne Kryptert" ved å bruke "∧" eller "∨" knappen. Du kan velge **Skann Kryptert** som **Ja** hvis du skanner kodede stasjoner.



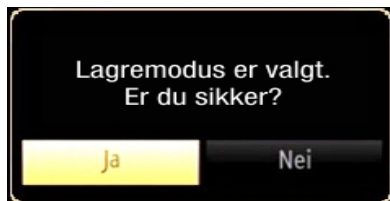
Trykk på **OK** knappen på fjernkontrollen for å fortsette og følgende meldingen vil bli vist på skjermen.

Hvis TV-en skal brukes i en butikk, vennligst angi Butikkmodus. Ved bruk hjemme, anbefales Hjemmodus.

Hjem-modus

Butikk modus

Du kan aktivere Lagre tilstand ved å bruke “<” eller “>” knappen. Hvis Lager Modus (valgfritt) er valgt, Lager modus mulighet skal være tilgjengelig i andre innstillings menyer og din TV's innstillinger vil være optimisert for best visnings kvalitet. En bekreftelse vil bli vist etter å ha valgt Lagre Tilstand. Velg **JA** for å fortsette.



Hvis Hjem-modus er valgt, vil Butikk modus ikke være tilgjengelig etter første installering. Trykk **OK** knappen på fjernkontrollen for å fortsette og følgende melding vises på skjermen.



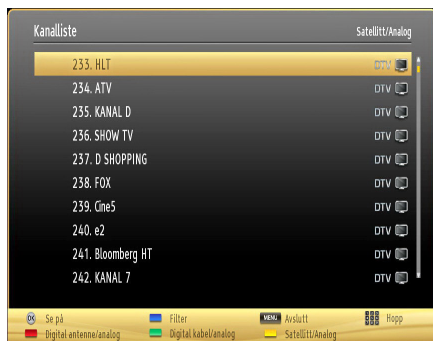
Du må velge søketype for å søke og lagre sendinger fra ønsket kilde.

Antenne Installasjon

Hvis du velger **ANTENNE** muligheten fra **Søk Type** skjermen, vil TV søke etter digitale TV-sendinger i området.



MERK: Du kan trykke på **MENU** knappen for å avbryte. Etter alle tilgjengelige stasjoner lagret, vil Kanallisten bli vist på skjermen. Hvis du liker sortere kanalene, ifølge LCN (*), velg "Ja" og trykk på **OK**.

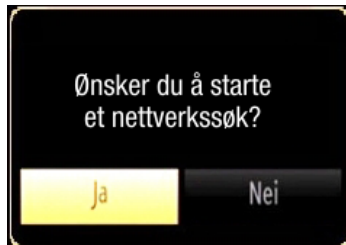


Trykk på **OK** knappen for å avslutte kanallisten og se på TV.

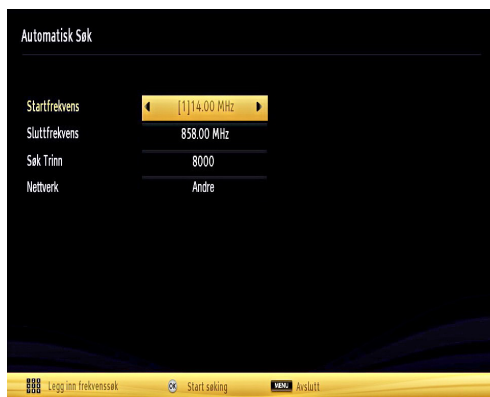
(* *LCN er den logiske Kanalnummer system som organiserer tilgjengelige sendinger i samsvar med en gjenkjennelig kanal sekvens.*)

Kabelinstallasjon

Hvis du velger **KABEL** muligheten og trykker **OK** knappen på fjernkontrollen for å fortsette, vil følgende melding vises på skjermen:



For å fortsette må du velge **JA** og trykke på **OK**. For å avbryte velg **NEI** og trykk **OK**.



Du kan velge frekvensområder på denne skjermen. For å fremheve linjer ser du, bruk “^” eller “v” knappen.

Du kan legge inn frekvensområdet manuelt med tallknappene på fjernkontrollen.

Velg **Start** og **Stopp Frekvens** som ønsket ved hjelp av talltastene på fjernkontrollen.

Etter denne operasjonen, kan du sette **Søk Trinn** som 8000 KHz eller 1000 KHz.

Hvis 1000 KHz velges, foretar TV'en et detaljert søk. Søk varighet vil dermed øke tilsvarende. Når du er ferdig, trykk på **OK** for å fortsette. TV-en vil søke og lagre tilgjengelige sendinger.

(* *Nettverk muligheten ikke vil være tilgjengelig for Storbritannia.*)

Media avspilling via USB inngang

Du kan koble en USB-harddisk eller et USB-minnekort til din TV ved å bruke USB-inngangene på TV-en. Denne funksjonen lar deg spille filer som er lagret i en USB stasjon. 2.5" og 3.5" tommer (hdd med ekstern strømforsyning) ekstern harddisker er støttet.

VIKTIG! Det er best å ta en sikkerhets kopi av filene før du kobler til TV-apparatet for å unngå mulige tap av data. Produsenten er ikke ansvarlig for enhver fil skader eller tap av data. Det er mulig at enkelte typer USB enheter (f.eks MP3 spillere) eller USB harddisker / minnebrikker ikke kan være kompatible med denne TV. TV-en støtter FAT32 og NTFS diskformatering men **opptak vill ikke være tilgjengelige med NTFS-formaterte disk**er.. Merk: Mens du formaterer en USB harddisk som har 1TB (TeraByte) eller mer fil kapasitet, kan du oppleve problemer med formateringen prosessen.

Det er meget risikofyllt å trekke raskt ut eller sette inn USB-enheter. Ikke gjentatte ganger raskt plugge og koble stasjonen. Dette kan forårsake fysisk skade på USB spilleren og USB enheten selv. Trekk ikke USB-enheten ut mens du spiller av en fil.

Medieleser Meny

Du kan spille opp foto, musikk og filmfiler som er lagret på en USB-disk ved å koble den til din TV og bruke medieleser-skjermen. For å gjøre dette ved å utføre følgende: Koble en USB disk til en av USB inngangene er plassert på siden av TVen.

Du kan koble to USB-enheter til din TV. Hvis begge USB enheter inkluderer musikk, bilde-eller videofiler, vil USB OSD vises på skjermen. Den første USB enhet koblet til TV, vil ha navnet USB Drive 1. Velg en enhet ved hjelp av "∨" eller "∧" knappen og trykk på **OK**.

Trykk på **MENU** knappen og velg Medieleser fanen ved å bruke Venstre/Høyre og **OK** knappene. Hoved Medieleser skjermen vises. Du kan vise relatert innhold ved å velge Video, Musikk eller kategorien Bilde. Følg knappeindikasjonene under hver menyskjermen for funksjoner av medieavspilling.

Du kan stille inn dine Medieleser-preferanser ved å bruke Innstillinger-dialogen.

Bruk **MENY** knappen i Medieleser Tilstand

Ved å trykke på **MENU** knappen i Medieleser tilstand vil følgende skjermen bli vist:



Du kan se **Bilde**, **Lyd** og **Innstillinger** meny muligheter ved å bruke denne skjerm. Trykk på **MENU** igjen for å avslutte skjermen.

Endre bildestørrelse: Bildeformat

Det er mulig å se programmer i ulike bildeformater, avhengig av sending mottatt. Du kan endre sideforholdet (bildestørrelse) til TV for visning av bildet i forskjellige zoom tilstand. Trykk på "Ⓜ" knappen gjentatte ganger for å endre skjerm størrelsen. **Du kan bytte til skjerm opp og ned ved å bruke "∧" eller "∨" knappen mens i 14:9 Zoom, kino eller teksting.**

Bruke av Kanallisten



TV-en sortere alle lagrede stasjoner i Kanallisten. Du kan redigere denne kanallisten, stille inn favoritter eller stille inn aktive stasjoner som skal listet opp ved bruk av valget Kanalliste. Klikk knappen "MENU" for å se hovedmenyen. Velg Kanal Listen ved å bruke **Venstre** eller **Høyre** knappen. Trykk på **OK** for å få vist meny innhold. Velg **Rediger kanalliste** for å administrere alle lagrede kanaler. Bruk **Opp** eller **Ned** og **OK** knappene for å velge **Endre Kanalliste**. Trykk **Opp** eller **Ned** knappen for å velge kanalen der skal brukes. Trykk **Venstre** eller **Høyre** knappene for å velge en funksjon i menyen Kanalliste. Bruk **P+/P-** for å flytte side opp eller ned. Trykk på knappen "MENU" for å avslutte.

Sortere Kanalliste

Du kan velge hvilke sendere som skal listet opp i kanallisten. For å vise bestemte typer sendinger, bør du bruke Aktiv kanalliste innstillingen. Velg Aktiv kanalliste fra Kanallistemenyen ved å bruke “**∨**” eller “**∧**”. Trykk på OK for å fortsette. Du kan velge et nettverk typen alternativ fra listen ved hjelp av “**<**” eller “**>**” og OK knappene.

Hurtigmeny

Rask meny tillater deg å få adgang til noen alternativer raskere. Denne menyen inneholder **Strømsparingsmodus, Bildemodus, Equalizer-innstillinger, Favoritter og Innsøvnings timer, CEC RC-gjennomgang** og **Informasjonshefte-alternativer**. Trykk **Q.MENU** på fjernkontrollen for å åpne hurtigmenyen. Se følgende kapitler for detaljer om de oppførte funksjoner.

CEC- og CEC RC-gjennomgang

Denne funksjonen gjør det mulig å kontrollere CEC-aktiverede enheter, som er koblet til via HDMI-porter ved hjelp av fjernkontrollen til TV-en.

CEC-alternativet i menyen **Andre innstillinger Innstillinger bør velges som Aktivert først.**

Trykk **Source**-knappen og velg HDMI-inngang for den tilkoblede CEC-enheten fra **Kildeliste**-menyen. Når den nye CEC-kildeenheten er koblet til, vil den bli oppført i kildemenyen med eget navn istedenfor navnet til den tilkoblede HDMI-porten (DVD-spiller, optaker 1 osv.).

TV-fjernkontrollen er automatisk i stand til å utføre de viktigste funksjonene etter at den tilkoblede HDMI-kilden er valgt.

For å avslutte denne operasjonen og kontrollere TV-en via fjernkontrollen igjen, trykk og hold “0-Zero”-knappen på fjernkontrollen i tre sekunder. Du kan også trykke Q.Menu-knappen på fjernkontrollen, markere **CEC RC-gjennomgang** og sette den til **Of (Av)** ved å trykke på **venstre-** eller **høyreknappen**. Denne funksjonen kan også aktiveres eller deaktiveres under menyen Innstillinger andre innstillinger.

TV-en støtter også ARC-funksjonen (Audio Return Channel). Denne funksjonen er en lydlink ment å erstatte andre kabler mellom TV-en og lydanlegget (A/V-mottaker eller høyttalersystem).

Når ARC er aktiv, vil ikke TV-en dempe andre lydutganger automatisk. Derfor må du redusere TV-volumet til null manuelt, hvis du ønsker å høre lyd fra den tilkoblede lydenhet (den samme gjelder andre optiske eller koaksiale digitale lydutganger). Hvis du ønsker å endre volumnivået på tilkoblede enheter, bør du velge den enheten fra kildelisten. I dette tilfelles knyttes volumknappene direkte opp mot lydenheten.

Meny Egenskaper og Funksjoner

Bildemenyinnhold

Modus	Du kan stille inn det riktige modusvalget til dine behov. Bildemodus kan stilles inn til et av følgende valg: Kino, Spill, Sport, Dynamisk og Naturlig.
Kontrast	Stiller inn verdier for lyshet og mørke på skjermen.
Klarhet	Stiller inn klarhetsverdiene på skjermen.
Skarphet	Stiller inn verdiene for skarphet for objektene vist på skjermen.
Farge	Stiller inn fargeverdier, justerer fargene.
Strømsparingsmodus	For å stille Strømsparingsmodus til Spare, BildeAv og Deaktivert. Se avsnittet "Miljømessig informasjon" i denne håndboken for mer informasjon om Strømsparingsmodus.
Baklys (valgfritt):	<i>Denne innstillingen av bakgrunnbelysning kan settes til Automatisk, Maksimum, Minimum, og Øko modus. Bakgrunnfunksjonen vil deaktiveres hvis Strømsparingsmodus er skrudd på. Bakgrunnbelysningen kan ikke aktiveres i VGA eller medieleser- modus eller mens bildemodus er satt som Spill.</i>
Støyreduksjon	Hvis kringkastingssignalet er svakt og det er støy på bildet, kan du bruke innstillingen Støyreduksjon for å redusere støynivået. Støyreduksjon kan stilles inn til et av følgende valg: lav, middels, høy eller av.

Avanserte innstillinger

Dynamisk kontrast:	Du kan endre kontrast hastighet ved å bruke funksjonen Dynamisk kontrast. Dyanisk kontrast kan stilles til en av disse alternativene: lav, middels, høy eller av.
Fargetemperatur	Stiller inn ønsket fargetone.
Bildezoom	Sett bildestørrelsen to Auto, 16:9, Teksting, 14:9, 14:9 zoom, 4:3, Panoramisk eller Kino.
HDMI True Black (ekte sort) (valgfritt):	Mens du ser fra HDMI-kilde, vil denne funksjonen være synlig i menyen Bildeinnstillinger. Du kan benytte denne funksjonen til å forsterke sortet i bildet.
Filmmodus (alternativ)	Filmer spilles inn med et variabelt antall bilder per sekund for normale TV-programmer. Slå på denne funksjonen når du ser filmer for å se høyhastighetsscenerne klart.
Hud toner	Adjust the desired skin tone.
Fargeinnstillinger	Stiller inn ønsket fargetone.
RGB økning	Press OK button to edit RGB gain. du kan konfigurere fargetemperaturens verdier ved å bruke funksjonen RGB økning.
Tilbakestill	Tilbakestiller bildeinnstillinger til fabrikkinnstillinger.
Autoposisjon (i PC modus)	Optimaliserer automatisk skjermen. Trykk OK for å optimalisere.
H posisjon (i PC modus)	Dette elementet dytter bildet horisontalt til høyre eller venstre side av skjermen.
V posisjon (i PC modus)	Dette elementet dytter bildet vertikalt mot toppen eller bunnen av skjermen.
Punktklokke (i PC modus)	Punktklokkefrekvensen retter opp forstyrrelser som vises som vertikale bånd i presentasjoner med mange prikker, som regneark eller paragrafer, eller tekst i mindre skrifttype.
Fase (i PC modus)	Avhengig av oppløsningen og fremløpsfrekvensen du har satt TV-en til, kan det hende du ser et tåkete eller prangende bilde på skjermen. Hvis dette er tilfelle, kan du bruke dette elementet for å få et rent bilde etter prøve-og-feile metoden

Mens vil VGA (PC)-modus vil noen elementer i Bildemenyen være utilgjengelige.. Istedet vil VGA-modusinnstillinger bli lagt til Bildeinnstillinger mens i PC-modus.

Meny Egenskaper og Funksjoner

Lydmenyinnhold	
Volume	Justerer volumnivå.
Forsterker	I Equalizer-menyen kan modus endres til Musikk, Film, Tale, Flat, Klassisk og Brukerdefinert . Trykk på MENY for å gå til forrige meny. Innstillingene for Equalizer-menyen kan kun endres når Equalizer-modus er satt til Bruker.
Balance	Denne innstillingen brukes for å stille balansen mellom venstre og høyre høyttaler.
Hodetelefon	Stiller inn hodetelefonvolum.
Lydmodus	Du kan velge MONO, STEREO, DUAL-I eller DUAL-II bare dersom den valgte kanalen støtter dette.
AVL	Automatisk Volumkontroll (AVL) stiller inn lyden slik at den oppnår et balansert nivå fra program til program. (Lydnivået på for eksempel reklamer pleier ofte å være høyere enn programmer).
Hodetelefon/Linje Ut (Optional)	Når du koplek til en ekstern forsterker til din TV ved å bruke Hodetelefoninngangen, kan du velge dette alternativet som Linje ut. Hvis du har koplet til hodetelefoner til TV-en, still dette alternativet til Hodetelefon.
Dynamisk Bass tillegg	Slår Dynamisk Bass Av/Til
Hodetelefonlyd (valgfritt)	Surround lyd tilstand kan endres til På eller Av.
Digital ut	Stiller inn digital lydtype ut.
Menyinnhold for installasjon og omstilling	
Automatisk kanalsøk (stilla om)	<p>Viser automatiske omstillingalternativer.</p> <p>Digital antenne: Søker etter og lagrer antenne DVB stasjoner.</p> <p>Digital antenne: Søker etter og lagrer kabel DVB stasjoner.</p> <p>Analog: Søker etter og lagrer analoge stasjoner.</p> <p>Digital antenne & analog: Searches and stores aerial DVB and analogue stations.</p> <p>Digital kabel & analog: Søker etter og lagrer kabel DVB og analoge stasjoner.</p>
Manuelt kanalsøk	Denne funksjonen kan brukes for innlegging av direkteendinger.
Kanalsøk nettverk	Søker lenkede kanaler i sendingsystemet.
Analog fininnstilling	Du kan bruke denne innstillingen for å finjustere analoge kanaler. Denne funksjonen er ikke tilgjengelig hvis det ikke fins noen lagrede analoge kanaler.
Første Gangs Installasjon	Sletter alle lagrede kanaler og innstillinger, TVen tilbakestilles til fabrikkinnstillingene og starter førstegangsinstallasjon. Du kan følge instruksjonene i seksjonen Første Installasjon for videre informasjon om denne prosessen.
Fjern tjenesteliste (*)	(*) Denne innstillingen er bare synlig når landet er satt til Danmark, Sverige, Norge eller Finland. Bruk denne innstillingen for å fjerne kanalene som er lagret.

Meny Egenskaper og Funksjoner


Innstillinger bildemenyinnhold	
Betinget adgang	Kontrollerer betingede tilgangmoduler når tilgjengelig.
Språk	Konfigurerer språkinnstillinger.
Foreldrekontroll	Konfigurerer foreldreinnstillinger.
Tidsinnstilling	Stiller inn timer for valgte programmer.
Opptak Konfigurasjon	Viser menyen opptakkonfigurasjon
Dato/tid	<p>Stiller inn dato og tid.</p> <p>Merk:</p> <p>* TV'en stilles tiden gjennom sendingen Den riktige tid skal være tilgjengelig i Dato- Tids innstillinger, hvis tid info er oppgitt i sendingen.</p> <p>Hvis TV'en er i ingen kanal modus, Dato /Tid kan bli endret Likevel, hvis det er et kanal er valgt, kun "Tid innstillinger modus" kan bli endret og hvis det er i manuelt modus, tidszone er muligjort.</p> <p>* Hvis TV'en er i ventemodus og slått på senere og det er ingen sendinger tilgjengelig, tid informasjon vil ikke bli oppdatert. Hvis det er et tilgjengelig sending blir tids informasjon oppdatert. Med andre ord, tid informasjonen vil bli oppdatert etter det følgende: Først TV'en set på tids info i sendingen, da i brukerens preferanser, og sist til teletext tids informasjonen.</p>
Kilder:	Aktiverer eller deaktiverer valgte kildevalg.
Andre innstillinger: Viser andre innstillinger for TV-apparatet:	
Meny-tidsavbrudd	Endrer tidsavbrudd for menyskjermer.
Søk etter krypterte kanaler	Når denne innstillingen er på, vil det også søkes etter de krypterte kanalene også. Hvis søket stilles inn til Av , søkes det ikke etter krypterte kanaler under automatisk eller manuelt søk..
Blå bakgrunn	Aktiverer eller deaktiverer blå bakgrunn når signalet er svakt eller fraværende.
Program vareoppgradering	Bruk denne innstillingen for å sikre at TV-en din alltid er oppdatert med den nyeste informasjonen. For å sikre riktig funksjon, vennligst sikre at TV'en er stilt i standby-modus.
Applikasjonversjon	Viser applikasjonversjon
Hørselsvake	Hvis kanalen aktiverer et eller annet spesielt signal som gjelder lyd, kan du sette innstillingen på for å motta slike signaler.
Lydbeskrivelse	Lydbeskrivelsen viser til ekstra lydspor for blinde og synshemmede seere av visuelle medier, inkludert fjernsyn og filmer. Du kan bruke denne funksjonen bare hvis kringkasteren støtter dette ekstra fortellersporet.
Auto TV av	Du kan sette timeout-verdien for auto TV av. Etter timeout-verdien er registrert og TV-en ikke registrerer bruk i den valgte tidsperioden, vil den slå seg av.
Standbysøk (valgfritt)	Hvis du endrer Beredskapsøket til Av, vil denne funksjonen ikke være tilgjengelig. For å bruke Beredskapsøk, sørg for at du velger Beredskapsøk På. Hvis Beredskapsøk er satt til På når TV-en er i Standby, vil det bli søkt på tilgjengelige sendinger. Hvis TV-en finner nye eller manglende sendinger vil en meny komme til syne for å spørre deg om du ønsker å utføre endringer. Kanallisten vil bli oppdatert og endret etter denne prosessen. Aktivere innstillingen Hvilemodus-søk or å aktivere TV-en din for automatisk oppdatering av kringkastingfrekvenser, definisjon og andre endringer for kringkastingen.

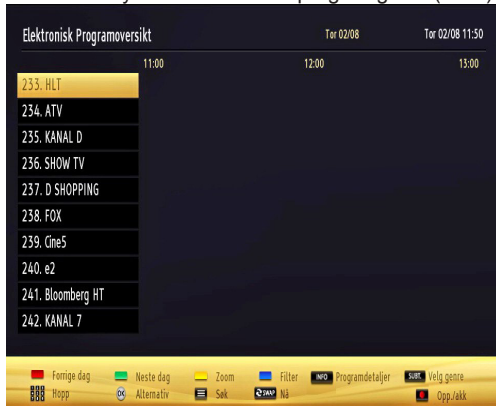
Meny Egenskaper og Funksjoner

Andre innstillinger: Viser andre innstillinger for TV-apparatet:

Full modus (ekstrautstyr)	Hvis du viser TV i en butikk, kan du aktivere denne tilstand. Mens Lagre tilstand er aktivert, kan enkelte elementer i TV-menyen ikke være tilgjengelig til å bli stille.
Strømsparingsmodus:	Denne innstilling konfigureres oppstart preferansene. Alltid på: TV'en alltid slås på når hoved på/av knapp er trykket. Stand by: TV'en alltid slås på i ventemodus. / Siste tilstand TV'en alltid slås på med sist valgt kanal / kilde.
CEC	Med denne innstillingen kan du aktivere og deaktivere CEC-funksjonaliteten fulstending. Trykk venstre- eller høyreknappen for å aktivere eller deaktivere funksjonen.

Elektronisk Program Guide (EPG)

Noen, men ikke alle kanaler sender informasjon om nåværende og kommende programmer. Trykk på  for å se menyen for elektronisk programguide (EPG).



Opp/Ned/Venstre/Høyre: Navigere EPG.


OK: Viser program muligheter.

INFO: Viser, i detalj informasjon om program valgt.

GRØNN: Endrer til listen planlagt EPG.

GUL: Endrer til tidslinje planlagt EPG.

BLÅ: Viser alternativer for filtrering.

 (OPPTAK) (Ta Opp): TV-en vil begynne å ta opp valgt program. Du kan trykke igjen for å stoppe opptaket.

VIKTIG: Hvis du vil spille et program, bør du først koble en USB disk til TVen mens TVen er slått av. Du skal da slå på TVen for å aktivere opptaks funksjonen. Hvis ikke vil opptak ikke være tilgjengelig.

Merk: Bytting til en annen TV-kanal eller kilde er ikke tilgjengelig under opptak.

Program Muligheter

I menyen EPG, trykk på **OK** knappen for at se **Hendelse Muligheter** menyen.

Velg Kanal

I EPG menyen, ved å bruke denne muligheten, kan du endre til den valgte kanalen.

Spill Inn / Slett Opptakstimer

Etter at du har valgt et program i EPG menyen, trykker du på **OK** knappen og **Muligheter** skjermen vil bli vist. Velg **“Opptak”** muligheten og trykk på **OK** knappen. Etter denne handlingen, blir en innspilling satt til det valgte programmet.

Hvis du vil avbryte en allerede satt opptak, markere at program og trykk **OK** knappen og velg muligheten **“Slet Opptak. Timer”**. Opptaket vil bli avbrutt.

Sett Timer / Slett Timer

Etter at du har valgt et program i EPG menyen, trykker du på **OK** knappen og **Muligheter** skjermen vil bli vist. Velg **“Set Timer ved Hendelse”** muligheten og trykk på **OK** knappen. Du kan angi et tidsur for fremtidige programmer. Hvis du vil avbryte en allerede satt timeren, markere at program og trykk på **OK** knappen. Velg da **“Slet Timer”** muligheten. Timeren vil bli avbrutt.

Merk: Det er ikke mulig å ta opp eller stille inn timeren for to eller flere individuelle hendelser innen det samme tidsintervallet.

Spille inn en Program

VIKTIG: Når du bruker en ny USB-harddiskstasjon anbefales det at du først formaterer disken ved hjelp av din TVs **“Format disk”** valg.

For å ta opp et program må du først koble en USB-disk til din TV mens den er slått av. Du skal deretter skru på TV-en for å aktivere opptakfunksjonen.

For å bruke opptakfunksjonen bør du koble en USB-disk eller en ekstern harddisk til TV-en og tilkoblet USB-disk bør ha minst 1 GB kapasitet og være kompatibel med 2.0-hastighet. Hvis den tilkoblede USB-enheten ikke støtter 2.0-hastighet vil det vises en feilmelding.

Merk: Innspilte programmer er lagret i den tilkoblede USB disk. Hvis ønskelig, kan du lagre kopiere opptak på en computer, men vil disse filene ikke være tilgjengelig for å bli spilt på en computer. Du kan spille opp innspillingene kun via TV-en din.

Merk: Leppe synk forsikelse kan oppstå under pausefunksjon. Radio opptak understøttes ikke. TV-en kan ta opp programmer i inntil ti timer.

Innspilte programmer er delt opp i deler på 4GB.

Hvis skrivehastigheten av tilkoblede USB disk er ikke tilstrekkelig, kan opptak mislykkes og pausefunksjon er kanskje ikke tilgjengelig.

Opptaket av HD-programmer kan oppta en større størrelse på USB-disken avhengig av kringkastings vedtak. Av denne grunn anbefales det å bruke USB-harddisker for å ta opp HD-programmer.

Ikke koble ut USB/HDD under opptaket. Dette kan skade den tilkoblede USB/harddisken.

Multipartisjon støtte er tilgjengelig. Maksimalt to forskjellige partisjoner er støttet. Hvis disken har mer enn to partisjoner, kan krasje. Første partisjonen på USB disken brukes til PVR klare funksjoner. Den må også være formatert som primær partisjon for å brukes til PVR-ferdige funksjoner.

Noen stream-pakker kan ikke bli tatt opp på grunn av signalproblemer, så noen ganger video kan frys under avspilling.

Knappene Opptak, avspille, pause, Display (for PlayListDialog) kan ikke brukes når tekst-TV er på. Hvis en innspilling starter fra timeren når Tekst TV er ON, blir tekst-tv automatisk slått av. Også Tekst TV bruk er deaktivert når det er pågående opptak eller avspilling.

Timeshift Opptak

Trykk på **||** (PAUSE) knappen imens du ser på en utsending for å endre til timeshifting tilstand. I pausefunksjon tilstand, er programmet stoppet og samtidig registrert til den tilkoblede USB disk. Trykk på **▶** (AVSPILLE) knappen igjen for å se det pausene programmet fra stopp tidspunktet. Du vil se timeshift mellomrommet mellom det virkelige og timeshift programmet i info linjen.

Øyeblikkelig Opptak

Trykk på **●** (OPPTAK) knappen for å begynne opptak av en hendelse umiddelbart mens du ser et program. Du kan trykke på **●** (OPPTAK) knappen på fjernkontrollen igjen for å opptak neste hendelse på EPG. I dette tilfellet vil OSD vise programmerte arrangementer for opptak. Trykk på **■** (STOPP) knappen for å avbryte en opptaking. Bytte til en annen sender eller kilde; og visning av Medieleser er ikke tilgjengelig under opptaket.

Ser Innspilte Programmer

I hovedmenyen, bruk “<” eller “>” knappene for å velge **Medieleser**. Velg **Opptak Bibliotek** ved å bruke “<” eller “>” knappen og trykk på **OK** knappen for å gå inn. Opptak Bibliotek vil da bli vist. Velg en innspilt element fra listen (hvis tidligere innspilt) ved hjelp av “^” / “v” knappen. Trykk på **OK** knappen for å se **Avspille Muligheter**. Velg en mulighet ved å bruke “v” / “^” eller OK knappene.



Tilgjengelige avspilling muligheter:

- Spill av fra start: Spiller av opptaket fra begynnelsen.
- Gjenoppta: Fortsetter opptakene
- Spill av fra forskyvning: Spesifiserer et avspillingspunkt.

Merk: Visning av hovedmeny og menyelementer vill ikke være tilgjengelig under tilbakespillingen.

Trykk på **■** (STOPP) knappen for å stoppe en avspilling og venne tilbake til Opptak Biblioteket.

Sakte fremover

Hvis du trykker på **||** (PAUSE) knappen mens du ser på innspilte programmer, vil sakte fremover funksjonen være tilgjengelig. Du kan bruke **▶▶** knappen for å gå sakte fremover. Ved å trykke **▶▶** knappen flere ganger vil sakte hastigheten.

Opptak Bibliotek

Hvis du vil vise listen over innspillinger, velg “**Opptak Bibliotek**” og trykk på **OK** knappen. Opptak Bibliotek vil da vises med tilgjengelige opptak. Alle opptakene lagres i en liste i innspillinger biblioteket.

> (Gjenoppta): Fortsetter opptakene

RØD knapp (Slet) :Sletter valgte opptaking.

GRØNN knapp (Endre): Gjør endringer på det valgte opptaket.

BLÅ knapp (Sorter): Endrer rekkefølgen på opptakene. Du kan velge fra et bredt utvalg av sorteringsmuligheter,

OK knapp: Aktiverer spille valgmenyen:

INFO (Detaljer): Viser de korte utvidede programmene i detalj.

Opptak Konfigurasjon

Velg Opptakkonfigurasjon i innstillingsmenyen for å konfigurere opptaksinnstillingene.

Formater Disk: Du kan bruke Format-disken for formatering av tilkoblede USB disk. **VIKTIGT**: Merk at alle data som er lagret på USB disken vil gå tapt, og deretter disken formatet vil bli konvertert til FAT32 hvis du aktiverer denne funksjonen. Hvis USB disken fungerer dårlig, kan du prøve å formatere USB disk. I de fleste tilfeller formaterer USB disken vil gjenoprette normal drift, men vil alle data som er lagret på USB disken gå tapt i et slikt tilfelle.

Merk: *Vis meldingen “USB er for sen” vises på skjermen ved start av et opptak, prøv å start opptaket på nytt. Hvis du fremdeles får samme feil, er det mulig at din USB disken ikke oppfyller hastighet. Prøv å koble til en annen USB-disk.*


Tekst TV

“” **Tekst-TV / Miks:** Aktivere Tekst TV når du trykker én gang. Trykk igjen for å plassere Tekst TV skjermen over programmet (miks). Trykk én gang til for å gå ut av tekst-TV.

“**RETURN**” - **Indeks:** Velger indekssiden for tekst-TV.



“**INFO**” **Vis:** Viser skjult informasjon (f.eks. spill løsnings).

“**OK**” **Hold:** Holder en tekstsider når det passer. Trykk én gang til for å gå videre.


“” **Dele sider:** Velger dele sider hvis tilgjengelig når tekst TV er aktivert.

P+ P- og tall (0-9): Trykk for å velge en side.

Merk: De fleste TV-stasjoner bruker kode 100 til indeksside.

Ditt TV støtter både **FASTEKST** og **TOP tekst** systemer. Når disse systemene er tilgjengelige, er sidene delt inn i grupper eller emner. Når **FASTEKST** systemet er tilgjengelig, vil deler av en Tekst TV side fargekodes og kan velges ved å trykke på de fargede knappene. Trykk på en farget knapp som tilsvarer med dine behov. Fargede skrifter skal vises, og viser deg hvilke fargede knapper som skal brukes når **TOP tekst** er tilstede. Ved å trykke på “” eller “” kommandoer vil be om neste eller forrige side.

Digital Tekst TV (Bare Storbritannia)

• Trykk på “” knappen. Informasjonen om digital tekst tv vises. Betjene den med fargede knappene, markør knappene å **OK** knappen.

Bruken kan variere noe, avhengig av innholdet av digital tekst-TV. Følg instruksjonene som vises på tekst-TV-skjermen.

Når “” knappen er trykket igjen, vil TV venne tilbake til TV utsending.

Programvareoppgradering

TV-en din er i stand til å finne og oppdatere ny programvare gjennom sendingene som blir kringkastet. For utsending kanaler søk, ser tv de tilgjengelige kanalene som er lagret i innstillingene dine. Før programvareoppdatering er det anbefalt å foreta autosøk og oppdatere alle kanaler.

1) Software oppgradering søk via brukergrensensnittet

- Det er mulig manuelt å sjekke om det er en ny software oppgradering for TV-apparatet.

- Navigere deg fram gjennom hovedmenyen. Velg **Innstillinger** og velge **Andre Innstillinger** menyen. I **Andre Innstillinger** menyen navigere da til **Software Oppgradering** og trykk på **OK** knappen for å åpne **Oppgradering Muligheter** menyen.

- I **Oppgradering Innstillinger** menyen velg **Skann etter oppgradering** og trykk på **OK** knappen.

- Hvis nye oppdateringer blir funnet vil nedlastingen av programvaren ta til. En fremdrifts indikator angir gjenværende nedlastingen pågår. Når nedlastingen er fullført med suksess en melding vises for omstart for å aktivere ny software. Trykk **OK** for å fortsette med gjenoppstartsprosedyren.

2) 03:00 søk og oppgradering tilstand

- Hvis **Automatisk skanning i Oppgrader Innstillinger** menyen er slått til, vil TVen starte opp klokken 03:00 å søke etter utsending kanaler for ny software oppgradering. Hvis ny programvare blir funnet og lastet ned, vil TVen ha denne neste gang den blir slått på.

Merknad om omstart drift: Omstart er det siste trinnet i software oppgradering drift dersom nedlasting av ny programvare er fullført. Under omstarten TV gjør endelig initialisering. I omstart sekvens panel makt er lukket og foran lampen angir aktivitet med å blinke. Etter ca 5 minutter starter TVen opp igjen.

- Hvis TV-en ikke starter av seg selv etter ca 10 minutter, trekk ut strømtilførselen i ca 10 minutter, og sett den i igjen. TV bør åpne med ny programvare trygt. Hvis du fortsatt ikke kan få TV-jobber, kan du vennligst gjenta trekk og plugge sekvens noen ganger mer. Virker det fremdeles ikke, ta kontakt med servicepersonell.

Forsiktig: Mens LED blinker under omstart ikke koble TV apparatets strøm fra. Dette kan føre til at TVen ikke vil skru seg på igjen, og bare kan behjelpes med servicepersonell.

Feilsøking og Tips

Bilde utholdenhet - ghosting

Vennligst merk att innbrenning kan oppstå ved visning av en vedvarende bilde (stillbilde eller pauserte bilder). LED TV-ens innbrenning kan forsvinne etter en liten stund. Prøv å slå av TV-en for en stund. For å unngå innbrenning, ikke la TV-en vise stillbilde-modus i lengre perioder.

Ingen strøm

Hvis din TV har ingen strøm, sjekk strømledningen pluggen er koblet til strømkontakten.

Ingen bilde

1. Har du valgt riktig TV-system?
2. Er TV-apparatet eller antennen plassert i nærheten av eonlys , lydutstyr uten jording, etc.?
3. Fjell eller høye bygninger kan forårsake dobbelt bilde eller "spøkelsebilder". Noen ganger kan bildekvaliteten forbedres ved endre retning på antennen. Er bildet eller Tekst TV ugjenkjennelig?
4. Sjekk om du har lagt inn riktig frekvens.
5. Vennligst still om kanalene.
6. Bildekvaliteten kan bli dårligere når to apparater er koblet til TV-en samtidig. I slike tilfeller bør du koble fra ett av apparatene.

Ingen bilde

1. Manglende bilde betyr at TV-en din ikke mottar noen signaler. Har du valgt riktig knapp på fjernkontrollen? Prøv en gang til. Sørg også for at du har valgt korrekt inngangskilde.
2. Sitter antennen ordentlig i?
3. Er pluggene koblet skikkelig til antennekontakten?
4. Er antennekabelen skadet?
5. Bruker du riktige plugger for å koble til antennen?
6. Dersom du er i tvil, ta kontakt med leverandøren.

Ingen lyd

1. Har TV-en blitt satt til dempet lyd? For å avbryte demping, trykk på "M" knappen eller øke volumet.
2. Lyd kommer kun fra én høyttaler. Er balansen innstilt på en ekstrem? Se avsnittet Lydmeny.

Fjernkontroll - fungerer ikke

TV-en reagerer ikke lenger på fjernkontrollen. Batteriene kan være oppbrukt, dersom så du kan fortsatt bruke kontrollknappene på TV. (* Er kun mulig hvis den ikke er blokkert av foreldrekontroll.)

Inngangskilder - kan ikke velges

1. Hvis du ikke kan velge en inngangskilde, er det mulig at du ikke har noen enheter koblet til.
2. Kontroller AV-kablene og kontaktene hvis du har prøvd å koble til en enhet.

Opptak Utilgjengelig

For å ta opp et program må du først koble en USB-disk til din TV mens den er slått av. Du skal da slå på TV-en for å aktivere opptaks funksjonen. Ellers vil innspillingen funksjonen ikke er tilgjengelig. Hvis du ikke kan ta opp kan du prøve å slå av TV-en og deretter sette inn USB-enheten

enhet mens TV-en er slått av.

USB er for treg

Vis meldingen "USB er for sen" vises på skjermen ved start av et opptak, prøv å start opptaket på nytt. Hvis du fremdeles får samme feil, er det mulig at din USB disken ikke oppfyller hastighet. Prøv å koble til en annen USB-disk.

Informasjon til brukere om Avhending av Gammelt Utstyr og Batterier

[EU bare]

Symbolene indikerer at utstyr med disse symbolene ikke skal deponeres sammen med husholdningsavfall. Dersom du ønsker å deponere produktet eller batteri må dette gjøres i overensstemmelse med gjeldende innsamlingssystem eller fasiliteter for korrekt resirkulering.

Merk: Skiltet Pb under symbolet for batterier indikerer at dette batteriet inneholder bly



Products



Battery

PC Typiske Visning Tilstander

Følgende tabell er en illustrasjon av noen typiske videovisningsmoduser. Din TV støtter kanskje ikke alle oppløsninger. Ditt TV understøtter opp til 1920x1200.

Indeks	Oppløsning	Frekvens
1	640x400	70Hz
2	640x350	85Hz
3	640x400	85Hz
4	640x480	60Hz
5	640x480	66Hz
6	640x480	72Hz
7	640x480	75Hz
8	640x480	85Hz
9	800x600	56Hz
10	800x600	60Hz
11	800x600	70Hz
12	800x600	72Hz
13	800x600	75Hz
14	800x600	85Hz
15	832x624	75Hz
16	1024x768	60Hz
17	1024x768	66Hz
18	1024x768	70Hz
19	1024x768	72Hz
20	1024x768	75Hz
21	1024x768	85Hz
22	1152x864	60Hz
23	1152x864	70Hz
24	1152x864	75Hz
25	1152x864	85Hz
26	1152x870	75Hz
27	1280x768	60Hz
28	1360x768	60Hz
29	1280x768	75Hz
30	1280x768	85Hz
31	1280x960	60Hz
32	1280x960	75Hz
33	1280x960	85Hz
34	1280x1024	60Hz
35	1280x1024	75Hz
36	1280x1024	85Hz
37	1400x1050	60Hz

38	1400x1050	75Hz
39	1400x1050	85Hz
40	1440x900	60Hz
41	1440x900	75Hz
42	1600x1200	60Hz
43	1680x1050	60Hz
44	1920x1080	60Hz
45	1920x1200	60Hz

Spesifikasjoner

TV UTSENDING

PAL/SECAM B/G D/K K' I/I' L/L'

DIGITAL MOTTAK

DVB-T MPEG2

DVB-T MPEG4 HD

DVB-T MHEG-5 Motor (Storbritannia bare)

DVB-C MPEG2

DVB-C MPEG4 HD

MOTTAR KANALER

VHF (BAND I/III)

UHF (BAND U)

HYPERBAND

ANTALL FORINNSTILTE KANALER

1000

KANAL INDIKATOR

På-Skjerm display

RF ANTENNE INNGANG

75 Ohm (ubalansert)

DRIFTSPENNING

220-240V AC, 50 Hz.

LYD

Tysk + Nicam Stereo

LYDUTGANGSKRAFT (W_{RMS}) (% 10 THD) 2 x 8


STRØMFORBRUK (W) 75 W (maks)

PANEL 16:9

Lisens Påminnelser

Produsert under lisens fra Dolby Laboratorier.

VAREMERKE ERKJENNELSE

 **DOLBY**
DIGITAL PLUS og dobbel-D-symbolet er
varemerker for Dolby Laboratorier.

"HDMI, HDMI-logoen og High-Definition Multimedia
Interface er varemerker eller registrerte varemerker for
HDMI Licensing LLC."



Filformater som støttes for USB Medieleser

Media	Utvidelse	Format		Noter
		Video	Lyd	
Film	dat, mpg, mpeg	Mpeg1,2	MPEG1/2 Layer 1/2/3, AAC/HEAAC, AC3/EAC3, LPCM/ADPCM	1080P@ 30fps 50Mbit/sec
	dat, mpg, mpeg	MPEG2 ,H.264, VC1, AVS, MVC	MPEG1/2 Layer 1/2/3, AAC/HEAAC, AC3/EAC3, LPCM/ADPCM	H.264:1080Px2@25fps 1080P@ 50fps MVC: 1080P@ 24fps Andre: 1080P@ 30fps" 50Mbit/sec
	.vob	MPEG2	MPEG1/2 Layer 1/2/3, AC3, LPCM	1080P@ 30fps 50Mbit/sek
	.mkv	MPEG1,2,4, XviD, H.264, VC1,WMV3, Motion JPEG	MPEG1/2 Layer 1/2/3, AAC/HEAAC, AC3/EAC3, LPCM	H.264:1080Px2@25fps 1080P@ 50fps Other:1080P@ 30fps 50Mbit/sec
	.mp4 .mov		MPEG1/2 Layer 1/2/3, AAC/HEAAC, AC3/EAC3, LPCM/ADPCM	H.264: 1080Px2@25fps1080P@ 50fps Andre: 1080P@ 30fps 50Mbit/sec
	.avi	MPEG1,2,4 Xvid H.264, VC1,WMV3, Sorenson H.263 Motion JPEG	MPEG1/2 Layer 1/2/3, AAC/HEAAC, AC3/EAC3, LPCM/ADPCM, WMA	H.264: 1080Px2@25fps 1080P@ 50fps Other: 1080P@ 30fps" 50Mbit/sec
	flv	H.264, Sorenson H.263	MPEG1/2 Layer 1/2/3, AAC/HEAAC, LPCM/ADPCM	H.264: 1080Px2@25fps 1080P@ 50fps Other: 1080P@ 30fps" 50Mbit/sec
	3gp,3g2	MPEG4, H.264		1920x1080 @ 30P 20Mbit/sec
	asf, wmv	MPEG2,4, XviD, H.264, VC1,WMV3	MPEG1/2 Layer 1/2/3, AAC/HEAAC, AC3/EAC3, LPCM, WMA	1080P@ 30fps 50Mbit/sec
Musikk	.mp3		MPEG1 Layer 1/2/3 (MP3)	
	.wav		LPCM	
	WMA/ASF		WMA, WMA Pro	
	.m4a/ .aac		AAC, HEAAC	
Foto	.jpg .jpeg	Standard JPEG		MAX WxH = 14592x12288 Opp til 8 MegaByte
	.png	Progressiv JPEG		
	.bmp	ikke-interlace		
	.png	interlace		
Undertittel	sub	-	-	
	srt	-	-	

Støttede DVI-oppløsninger

Når du kobler enheter til TV-kontaktene ved å bruke DVI konverter kabler (medfølger ikke), kan du se følgende informasjon om oppløsning.

	56Hz	60Hz	66Hz	70Hz	72Hz	75Hz
640x400				<input checked="" type="checkbox"/>		
640x480		<input checked="" type="checkbox"/>	<input checked="" type="checkbox"/>		<input checked="" type="checkbox"/>	<input checked="" type="checkbox"/>
800x600	<input checked="" type="checkbox"/>	<input checked="" type="checkbox"/>		<input checked="" type="checkbox"/>	<input checked="" type="checkbox"/>	<input checked="" type="checkbox"/>
832x624						<input checked="" type="checkbox"/>
1024x768		<input checked="" type="checkbox"/>	<input checked="" type="checkbox"/>	<input checked="" type="checkbox"/>	<input checked="" type="checkbox"/>	<input checked="" type="checkbox"/>
1152x864		<input checked="" type="checkbox"/>		<input checked="" type="checkbox"/>		<input checked="" type="checkbox"/>
1152x870						<input checked="" type="checkbox"/>
1280x768		<input checked="" type="checkbox"/>				
1360x768		<input checked="" type="checkbox"/>				<input checked="" type="checkbox"/>
1280x960		<input checked="" type="checkbox"/>				<input checked="" type="checkbox"/>
1280x1024		<input checked="" type="checkbox"/>				<input checked="" type="checkbox"/>
1400x1050		<input checked="" type="checkbox"/>				<input checked="" type="checkbox"/>
1440x900		<input checked="" type="checkbox"/>				<input checked="" type="checkbox"/>
1600x1200		<input checked="" type="checkbox"/>				
1680x1050		<input checked="" type="checkbox"/>				
1920x1080		<input checked="" type="checkbox"/>				
1920x1200		<input checked="" type="checkbox"/>				

